

DH-IPC-HDBW4221E(-AS)

2MP Full HD WDR Network Vandal-proof IR Mini Dome Camera



Features

- 1/2.7" 2Megapixel progressive scan CMOS
- Support H.264&MJPEG dual codec
- 25/30fps@1080P(1920×1080)
- Smart Detection supported
- WDR(120dB), Day/Night(ICR), 3DNR,AWB,AGC,BLC
- Multiple network monitoring: Web viewer, CMS(DSS/PSS) & DMSS
- 3.6mm fixed lens (2.8mm, 6mm optional)
- 1/1 Alarm in/out, 1/1 audio in/out(only for -AS)
- Max. IR LEDs Length 30m
- Micro SD memory(only for -AS), IP67, IK10, PoE

DH-IPC-HDBW4221E(-AS)

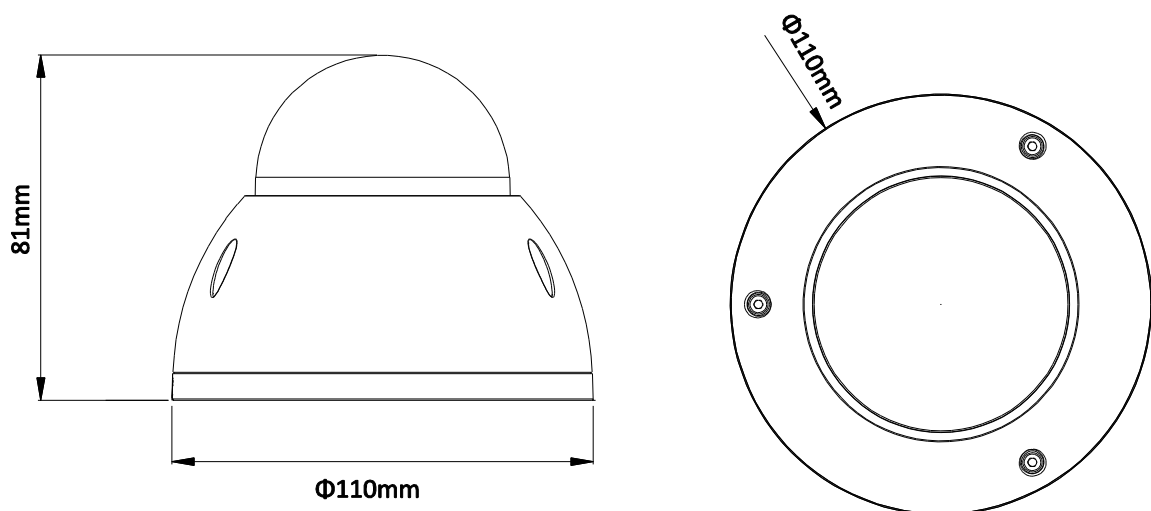
Technical Specifications

| | | |
|--------------------------|---|--------------------------|
| Model | IPC-HDBW4221E(-AS) | |
| Camera | | |
| Image Sensor | 1/2.7" 2Megapixel progressive scan CMOS | |
| Effective Pixels | 1920(H)x1080(V) | |
| Scanning System | Progressive | |
| Electronic Shutter Speed | Auto/Manual, 1/3(4)~1/100000s | |
| Min. Illumination | 0.01Lux/F2.0 (Color), 0Lux/F2.0(IR on) | |
| S/N Ratio | More than 50dB | |
| Video Output | N/A | |
| Camera Features | | |
| Max. IR LEDs Length | 30m | |
| Day/Night | Auto(ICR)/Color/B/W | |
| Backlight Compensation | BLC / HLC / WDR(120dB) | |
| White Balance | Auto/Sunny/Night/Outdoor/Customized | |
| Gain Control | Auto/Manual | |
| Noise Reduction | 3D | |
| Privacy Masking | Up to 4 areas | |
| Lens | | |
| Focal Length | 3.6mm (2.8mm, 6mm optional) | |
| Max Aperture | F2.0(F2.0/F2.0) | |
| Focus Control | Manual | |
| Angle of View | H: 93°/120°/63° | |
| Lens Type | Fixed lens | |
| Mount Type | Board-in Type | |
| Video | | |
| Compression | H.264/H.264B/H.264H/ MJPEG | |
| Resolution | 1080(1920×1080) / 720P(1280×720) / D1(704×576/704×480) / CIF(352×288/352×240) | |
| Frame Rate | Main Stream | 1080P/720P(1 ~ 25/30fps) |
| | Sub Stream | D1/CIF(1 ~ 25/30fps) |
| | Third Stream | 720P(1-13/4fps) |
| Bit Rate | H.264: 32Kbps ~ 10Mbps | |
| Corridor Mode | Support | |
| Audio | | |
| Compression | G.711a/ G.711u/ AAC(only for -AS) | |
| Interface | 1/1 channel In/Out(only for -AS) | |
| Smart Function | | |
| Smart detection | Tripwire | |
| | Intrusion | |
| | Abandoned/Missing | |
| | Scene Change | |
| | Audio detect | |

DH-IPC-HDBW4221E(-AS)

| | |
|----------------------------|--|
| | Face detect |
| Network | |
| Ethernet | RJ-45 (10/100Base-T) |
| Wi-Fi | N/A |
| Protocol | IPv4/IPv6, HTTP, HTTPS, SSL, TCP/IP, UDP, UPnP, ICMP, IGMP, SNMP, RTSP, RTP, SMTP, NTP, DHCP, DNS, PPPOE, DDNS, FTP, IP Filter, QoS, Bonjour, 802.1x |
| Compatibility | ONVIF PSIA CGI |
| Max. User Access | 20 users |
| Smart Phone | iPhone, iPad, Android, Windows Phone |
| Auxiliary Interface | |
| Memory Slot | Micro SD Max 128GB(only for -AS) |
| RS485 | N/A |
| Alarm | 1/1 channel In/Out(only for -AS) |
| PIR Sensor Range | N/A |
| General | |
| Power Supply | DC12V, PoE (802.3af) |
| Power Consumption | <4W |
| Working Environment | -30°C~+60°C, Less than 95% RH |
| Ingress Protection | IP67 |
| Vandal Resistance | IK10 |
| Dimensions | Φ110mm×81mm |
| Weight | 0.33kg(with package 0.47kg) |

Dimensions (mm)



DH-IPC-HDBW4221E(-AS)

Accessory (optional)

| | | |
|--|--|--|
| PFB203W | PFB200W | PFA152 |
|  |  |  |
| PFA136 | PFA150 | PFA151 |
|  |  |  |

Dahua Technology Co., Ltd.

1199 BinAn Road, Binjiang District, Hangzhou, China

Tel: +86-571-87688883

Fax: +86-571-87688815

Email: overseas@dahuatech.com

www.dahuasecurity.com

*Design and specifications are subject to change without notice.

© 2015 Dahua Technology Co., Ltd.