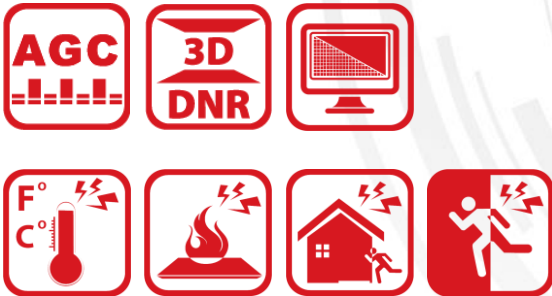


## DS-2TD6266-100C2L/V2

### Thermal & Optical Bi-spectrum Network Positioning System

DeepinView<sup>series</sup>



Hikvision DS-2TD6266-100C2L/V2 Thermal & Optical Bi-spectrum Network Positioning System equipped with built-in GPU which support intelligent behavior analysis algorithm, can realize high precision VCA detection and real-time alarm. It is applied to frontier defense occasions, maritime defense occasions, port monitoring, airport perimeter security, and so on. The pre-alarm system helps you discover unexpected events immediately and protects you from property loss.

#### Smart Function (Thermal Imaging)

- Leading image processing technology: Adaptive AGC, DDE, 3D DNR, NETD < 40mk (@25°C, F#=1.0)
- Smart tracking: Panorama tracking, Event tracking and Multi-scene patrol tracking
- Smart tracking linkage: thermal view and optical view
- Powerful behavior analysis algorithm: Line crossing, Intrusion, Region Entrance & Exit
- Reliable temperature exception alarm function
- Advanced fire detection algorithm

#### Thermal Imaging Module Function

- 640\*512 resolution, high sensitivity sensor, support contrast adjustment
- Support shutter adjustment in various modes
- 3D DNR, 15 palettes of color adjustable, image detail enhancement



## Specifications

| Parameter             |                         | Model  | DS-2TD6266-100C2L/V2 |
|-----------------------|-------------------------|--|----------------------|
|                       |                         | Thermal & Optical Bi-spectrum Network Positioning System   |                      |
| <b>Thermal module</b> | Image sensor            | Vanadium Oxide Uncooled Focal Plane Arrays   |                      |
|                       | Max. Resolution         | 640 × 512  |                      |
|                       | Detector Pitch          | 17μm   |                      |
|                       | Response waveband       | 8μm to 14μm  |                      |
|                       | NETD                    | < 40mk(@25°C,F#=1.0)   |                      |
|                       | Lens (focal length)     | 100 mm   |                      |
|                       | MRAD                    | 0.17 mrad  |                      |
|                       | Field of View           | 6.23° × 4.98°  |                      |
|                       | Min. Focusing Distance  | 10 m   |                      |
|                       | F number                | 1.0  |                      |
| <b>Optical camera</b> | Image sensor            | 1/2.8" Progressive Scan CMOS   |                      |
|                       | Min. Illumination       | Color : 0.05Lux @ (F1.8, AGC ON)<br>B/W : 0.01Lux @ (F1.8, AGC ON)   |                      |
|                       | Focal Length            | 6.7-330mm, 49 X  |                      |
|                       | Digital Zoom            | 16 X   |                      |
|                       | Field of View           | 41.3° - 1.2° (Wide-Tele)   |                      |
|                       | Min. Working Distance   | 10-1500mm(Wide-Tele)   |                      |
|                       | Aperture Range          | F1.8-F6.1  |                      |
|                       | Focus Mode              | Auto / Semiautomatic / Manual  |                      |
|                       | WDR                     | Digital  |                      |
|                       | Shutter Time            | PAL: 1-1/30,000s / NTSC: 1-1/30,000s   |                      |
|                       | White Balance           | Auto / Manual / ATW/Indoor/Outdoor/Daylight lamp/Sodium lamp   |                      |
|                       | Day & Night             | IR Cut Filter  |                      |
|                       | Privacy Mask            | 24 privacy masks programmable; optional multiple colors and mosaics  |                      |
|                       | Optical Defog           | Yes  |                      |
|                       | Enhancement             | 3D DNR   |                      |
| <b>Smart function</b> | VCA                     | Support 4 VCA rule types (Line Crossing, Intrusion, Region Entrance, and Region Exiting), 10 scenes and 8 VCA rules for each scene.  |                      |
|                       | Temperature Measurement | Support 3 temperature measurement rule types, 273 presets as scene, 21 rules of each scene (10 points, 10 areas, and 1 line)   |                      |
|                       | Temperature range       | -20 °C to 150 °C (-4 °C to 302 °F)   |                      |
|                       | Temperature accuracy    | ± 8 °C (14.4 °F)   |                      |
|                       | Fire detection          | Support 10 fire points   |                      |
| <b>PTZ</b>            | Movement Range          | Pan: 360° Continuous Rotate; Tilt: From -90° to + 40° (auto flip)  |                      |
|                       | Pan Speed               | Configurable, From 0.1°/s to 110°/s  |                      |
|                       | Tilt Speed              | Configurable, From 0.1°/s to 50°/s   |                      |
|                       | Proportional Zoom       | Yes  |                      |
|                       | Presets                 | 300  |                      |
|                       | Patrol Scan             | 8; Up to 32 Presets Per Patrol   |                      |
|                       | Pattern Scan            | 4; More Than 10 Minutes Per Pattern  |                      |
|                       | Power Off Memory        | Yes  |                      |
|                       | Park                    | Preset/Pattern Scan/Patrol Scan/Auto Scan/Tilt Scan/Random Scan/Frame Scan/Panorama Scan   |                      |
|                       | PT Status               | Turn On/Turn Off   |                      |
|                       | Scheduled Task          | Preset/Pattern Scan/Patrol Scan/Auto Scan/Tilt Scan/Random Scan/Frame Scan/Panorama Scan/Doom Reboot/Doom Adjust/AuxOutput   |                      |
| <b>Infrared</b>       | IR Distance             | Up to 500m   |                      |
|                       | IR Intensity and Angle  | Auto Adjust  |                      |
| <b>Network</b>        | Main Stream             | Optical: 50Hz:25fps(1920 × 1080), 25fps(1280 × 960), 25fps(1280 × 720)<br>Optical: 60Hz:30fps(1920 × 1080), 30fps(1280 × 960), 30fps(1280 × 720)<br>Thermal: 50fps (640 × 512) |                      |

|             |   |  |
|-------------|---|--|
|             | Sub stream  | Optical: 50Hz:25fps (704 × 576), 25fps (352 × 288), 25fps (176 × 144)<br>Optical: 60Hz:30fps (704 × 480), 30fps (352 × 240), 30fps (176 × 120)<br>Thermal: 50fps (640 × 512) |
|             | Video compression   | H.265+/ H.264+/H.265/H.264/MJPEG, H.264 encoding with Baseline/Main/High Profile   |
|             | Audio compression   | G .711u/G.711a/G.722.1/MP2L2/G.726/PCM   |
|             | Protocols   | IPv4/IPv6,HTTP,HTTPS,802.1x,Qos,FTP,SMTP,UPnP,SNMP,DNS,DDNS,NTP,RTSP,RTCP,RTP,TCP,UDP,IGMP,ICMP,DHCP, PPPoE, Bonjour   |
|             | Simultaneous live view  | Up to 20-ch  |
|             | User/Host level   | Up to 32 users, 3 levels: Administrator, Operator, User  |
|             | Security measures   | User authentication (ID and PW), MAC address binding, HTTPS encryption, IEEE 802.1x access control, IP address filtering   |
| Integration | Alarm Input   | Up to 7-ch Relay Input (0-5V DC)   |
|             | Alarm Output  | Up to 2-ch; Support Alarm Linkage  |
|             | Alarm Action  | Preset/Patrol Scan/Pattern Scan/SD Card Record/Relay Output/Smart capture/FTP upload/Email linkage   |
|             | Audio Input   | LINE_IN Input/MIC Input; Peak: From 2 to 2.4V[p-p]; Output Impedance: 1KΩ±10%  |
|             | Audio Output  | Linear Level; Impedance: 600Ω  |
|             | Communication Interface   | Built-in RJ45; 10M/100M Ethernet Interface   |
|             | Onboard Storage   | Built-in Micro SD/SDHC/SDXC Card Slot, Up to 64GB; Support Manual/Alarm Recording  |
|             | Analog Video Output   | 1.0V [p-p]/75Ω, PAL/NTSC/BNC   |
|             | RS485   | Half-Duplex; HIKVISION, PELCO-P and PELCO-D Self-adaptive  |
|             | API   | Open-ended; Support ONVIF, ISAPI and CGI; Support HIKVISION SDK and Third-Party Management Platform  |
|             | Client  | iVMS-4200  |
| Web Browser | IE 7+, Chrome 18+, Firefox 5.0+, Safari 5.02+; Multiple Languages |  |
| General     | Menu  | English  |
|             | Wiper   | Yes  |
|             | Power   | 24V AC, 120W   |
|             | Work Temperature/Humidity   | From -40°C to 60°C (-40°F to 140°F); Humidity: 90% or Less   |
|             | Protection Level  | Open-ended API, support ISAPI; Support HIKVISION SDK and Third-party Management Platform   |
|             | Dimensions  | 486.1 mm × 351.6 mm × 450.3 mm (19.14" × 13.84" × 17.73")  |
|             | Weight  | Approx. 19kg (41.89lb)   |

## Wide Range Coverage for Different Specifications

**Note:** The table below is only for reference, the performance varies from model to model, and the specific data is based on 17 μm detector pitch.

| Detection Range<br>(Vehicles:<br>1.4×4.0m) | Detection Range<br>(Humans:<br>1.8×0.5m) | Recognition Range<br>(Vehicles:<br>1.4×4.0m) | Recognition Range<br>(Humans:<br>1.8×0.5m) | Identification Range<br>(Vehicles:<br>1.4×4.0m) | Identification Range<br>(Humans:<br>1.8×0.5m) |
|--|--|--|--|---|---|
| 9020m                                      | 2941m                                    | 2255m  | 735m                                       | 1127m   | 368m  |

## Smart functions Range Table

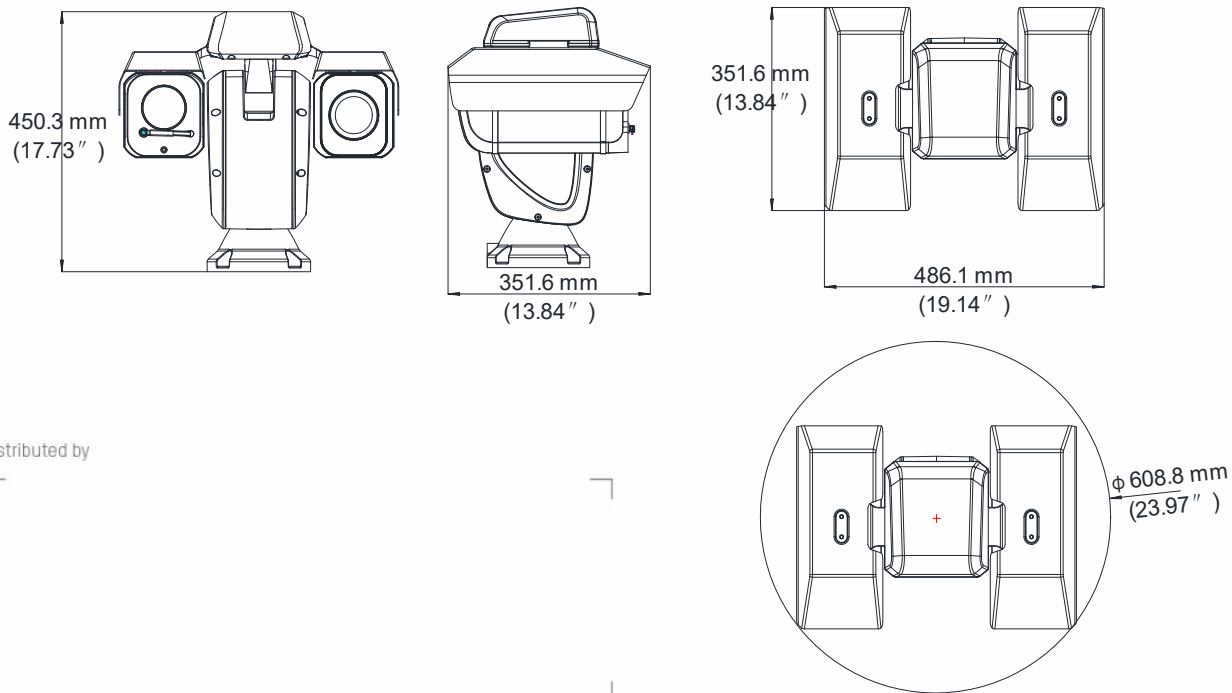
**Note:** The table below is only for reference, the performance varies from model to model, and the specific data is based on 17 μm detector pitch.

| VCA Range<br>(Vehicles:<br>1.4×4.0m) | VCA Range<br>(Humans:<br>1.8×0.5m) | Temperature<br>Measurement<br>(Object:2×2 m) | Temperature<br>measurement<br>(Object:1×1 m) | Fire Detection<br>(Object:2×2 m) | Fire Detection<br>(Object:1×1 m) |
|--------------------------------------|------------------------------------|--|--|----------------------------------|----------------------------------|
| 3000m                                | 1000m                              | 2340m  | 1180m  | 5880m                            | 2940m                            |

## Order Models

DS-2TD6266-100C2L/V2

## Dimensions



Distributed by



### Headquarters

No.555 Qianmo Road, Binjiang District,  
Hangzhou 310051, China  
T +86-571-8807-5998  
overseasbusiness@hikvision.com

**Hikvision USA**  
T +1-909-895-0400  
sales.usa@hikvision.com

**Hikvision Europe**  
T +31-23-55-42-770  
info.eu@hikvision.com

**Hikvision Middle East**  
T +971-4-8816086  
salesme@hikvision.com

**Hikvision Russia**  
T +7-495-669-67-99  
saleru@hikvision.com

**Hikvision India**  
T +91-22-28469900  
sales@pramahikvision.com

**Hikvision Italy**  
T +39-0438-6902  
info.it@hikvision.com

**Hikvision France**  
T +33(0)1-85-330-450  
info.fr@hikvision.com

**Hikvision Spain**  
T +34-91-737-16-55  
info.es@hikvision.com

**Hikvision Poland**  
T +48-22-460-01-50  
poland@hikvision.com

**Hikvision UK**  
T +01628-902140  
support.uk@hikvision.com

**Hikvision Singapore**  
T +65-6684-4718  
sg@hikvision.com

**Hikvision Oceania**  
T +61-2-8599-4233  
salesau@hikvision.com

**Hikvision Canada**  
T +1-909-895-0400  
sales.usa@hikvision.com

**Hikvision Korea**  
T +82-31-731-8841  
sales.korea@hikvision.com

**Hikvision Brazil**  
T +55 11 3318-0050  
Latam.support@hikvision.com

**Hikvision Africa**  
T +27 (10) 0351172  
sale.africa@hikvision.com

**Hikvision Hong Kong**  
T +852-2151-1761