

## iDS-2CD8626G0/P-LZSY 2 MP VF Anti-Corrosion Bullet Camera



**DarkFighter**



## DeepinView

- 1/1.8" Progressive Scan CMOS
- 1920 × 1080 @ 60fps
- 2.8 to 12 mm, 8 to 32 mm varifocal lens
- White light up to 30 m
- Five streams
- 140dB WDR
- Auto-iris, DC drive
- IP67, IK10 (camera body)
- 3D DNR/Defog/EIS/HLC/BLC
- Region of interest
- Target cropping
- License plate recognition
- Capture rate > 99% and accuracy rate > 98% when only one lane is configured
- Support vehicle speed under 120 km/h (74.6 mi/h)
- Up to 10000 whitelist and blacklist
- 6 behavior analyses, 2 exception detections, and face detection
- Anti-Corrosion: NEMA 4X



## Specifications

<b>Camera</b>	
Image Sensor	1/1.8" Progressive Scan CMOS
Min. Illumination	Color: 0.002 Lux @ (F1.2, AGC ON); 0.031 Lux @ (F1.5, AGC ON), 0 Lux with white light on
Shutter Speed	1 s to 1/100,000 s
Slow Shutter	Yes
Auto-iris	DC drive
Day & Night	IR Cut Filter
Digital Noise Reduction	3D DNR
WDR	140 dB
<b>Lens</b>	
Focal length	2.8 to 12 mm 8 to 32 mm
Aperture	2.8 to 12 mm: F1.5 - 2.8 8 to 32 mm: F1.6
FOV	2.8 to 12 mm: horizontal FOV 81.8° to 31.2°, vertical FOV: 43.5° to 17.6°, diagonal FOV: 97° to 36.3° 8 to 32 mm: horizontal FOV 42° to 13.2°, vertical FOV: 23.6° to 7.8°, diagonal FOV: 49° to 15.5°
<b>White Light</b>	
White Light	Up to 30 m
<b>Compression Standard</b>	
Video Compression	Main stream/third stream: H.265/H.264 Sub-stream, fourth stream and fifth stream: H.265/H.264/MJPEG
H.264 Type	Baseline profile/main profile/high profile
H.264+	Main stream supports
H.265 Type	Main profile
H.265+	Main stream supports
Video Bit Rate	32 Kbps to 16 Mbps
Audio Compression	G.711ulaw/G.711alaw/G.722.1/G.726/MP2L2/PCM
Audio Bit Rate	64Kbps(G.711ulaw/G.711alaw)/16Kbps(G.722.1)/16Kbps(G.726)/32-192Kbps(MP2L2)
<b>Smart Feature-Set</b>	
Behavior Analysis	Line crossing detection, intrusion detection, region entrance detection, region exiting detection, unattended baggage detection, object removal detection
Exception Detection	Scene change detection, audio exception detection
Face Detection	Yes
Recognition	License Plate Recognition
Region of Interest	Support 4 fixed regions for each stream, and dynamic tracking
<b>Road Traffic and Vehicle Detection</b>	
Accuracy	Capture Rate > 99%, accuracy rate > 98% when only one lane is configured
Vehicle Speed	Support vehicle speed under 120 km/h (74.6 mi/h)
Lane number	2 lanes
Direction	Support capture and recognition of vehicles both approaching and leaving
Whitelist and Blacklist	Up to 10000

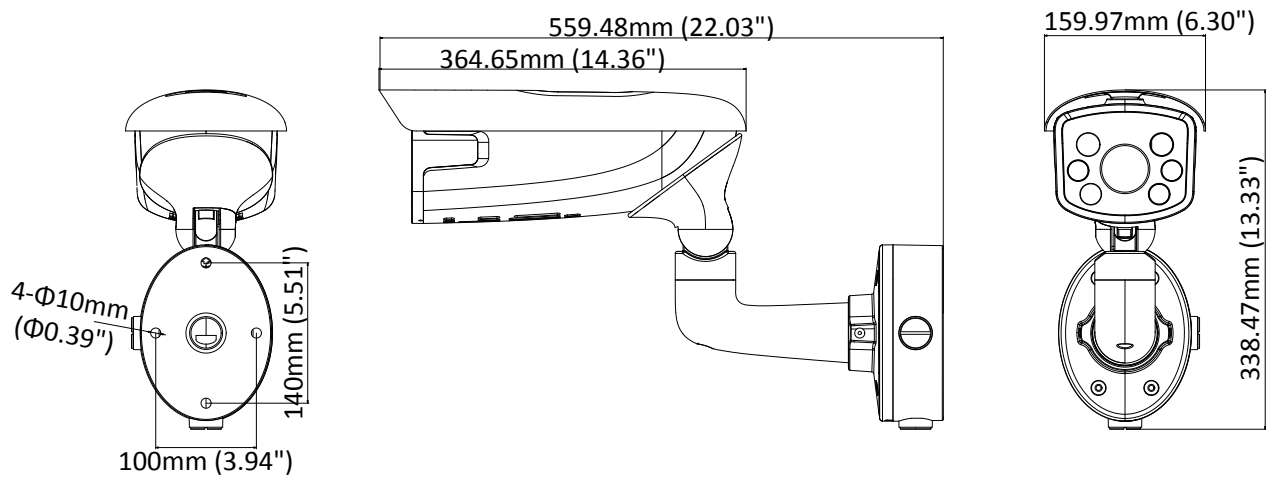
Country/Region and License Plate Type	<p><b>Country/Region:</b> Mid-East (United Arab Emirates, Qatar, Bahrain, Oman, Saudi Arabia, Kuwait, Yemen, Iraq, Syria, Jordan, Lebanon, and Egypt)</p> <p><b>Supported License Plate Type:</b> Private, Truck, Taxi, Public, Learning, Police, Commercial, Export, Moto Bike, Public Transfer, CD, CC, Army, Commercial Use, Testing, Government, Protocol, Private Transport, Unknown</p>
<b>Image</b>	
Max. Resolution	1920 × 1080
Main Stream	50Hz: 50fps (1920 × 1080, 1280 × 960, 1280 × 720) 60Hz: 60fps (1920 × 1080, 1280 × 960, 1280 × 720)
Sub Stream	50Hz: 25fps (704 × 576, 640 × 480) 60Hz: 30fps (704 × 480, 640 × 480)
Third Stream	50Hz: 25fps (1920 × 1080, 1280 × 960, 1280 × 720, 704 × 576, 640 × 480) 60Hz: 30fps (1920 × 1080, 1280 × 960, 1280 × 720, 704 × 480, 640 × 480)
Fourth and Fifth Stream	50Hz: 25fps (704 × 576, 640 × 480) 60Hz: 30fps (704 × 480, 640 × 480)
Image Enhancement	BLC, defog, EIS, 3D DNR, HLC
Image Setting	Saturation, brightness, contrast, sharpness, AGC and white balance adjustable by client software or web browser
Target Cropping	Yes
SVC	Yes
Day/Night Switch	Auto/Schedule/Day/Night/Triggered by Alarm In
Picture Overlay	LOGO picture can be overlaid on video with 128 × 128 24bit bmp format
<b>Network</b>	
Network Storage	Support Micro SD/SDHC/SDXC card (128G) local storage, NAS (NFS,SMB/CIFS), ANR
Alarm Trigger	Motion detection, video tampering alarm, network disconnected, IP address conflict, illegal login, HDD full, HDD error
Protocols	TCP/IP, ICMP, HTTP, HTTPS, FTP, DHCP, DNS, DDNS, RTP, RTSP, RTCP, PPPoE, NTP, UPnP™, SMTP, SNMP, IGMP, 802.1X, QoS, IPv6, UDP, Bonjour
General Function	One-key reset, anti-flicker, five streams, heartbeat, mirror, password protection, privacy mask, watermark, IP address filter
API	ONVIF (PROFILE S, PROFILE G), ISAPI, SDK
Simultaneous Live View	Up to 20 channels
User/Host	Up to 32 users. 3 user levels: Administrator, Operator and User
Client	iVMS-4200, Hik-Central
Web Browser	IE8+, Chrome 31.0-44, Firefox 30.0-51, Safari 8.0+
<b>Interface</b>	
Audio I/O	1-ch 3.5 mm audio input (line in), 1-ch 3.5 mm audio output (line out), mono sound
Communication Interface	1 RJ45 10M/100M/1000M self-adaptive Ethernet port, 1 RS-485 interface
Alarm I/O	2 inputs, 2 outputs (up to 24 VDC 1 A or 110 VAC 500 mA)
Video Output	1Vp-p composite output (75 Ω/BNC)
On-board storage	Built-in micro SD/SDHC/SDXC slot, up to 128 GB
Reset Button	Yes
<b>Audio</b>	
Environment Noise Filtering	Yes
Audio Sampling Rate	8 kHz/16 kHz/32 kHz/44.1 kHz/48 kHz
<b>General</b>	
Firmware Version	V5.4.7

Operating Conditions	-30 °C to 60 °C (-22 °F to 140 °F) Humidity 95% or less (non-condensing)
Power Supply	36 VDC, three-core terminal block
Power Consumption and Current	36 VDC, 1.17 A, max. 42 W
Protection Level	IP67, IK10 (camera body) Anti-corrosion: NEMA 4X
Material	Aluminum alloy
Dimensions	Camera: 560 × 339 × 160 mm (22.0" × 13.3" × 6.3")
Weight	Camera: approx. 6 kg (13.2 lb.) With Package: approx. 8 kg (17.6 lb.)

## Available Models:

iDS-2CD8626G0/P-LZSY (2.8 to 12 mm), iDS-2CD8626G0/P-LZSY (8 to 32 mm)

## Dimensions



## Accessories



DS-1275ZJ-4626  
Vertical Pole Mount

Distributed by

**HIKVISION®****Headquarters**

No.555 Qianmo Road, Binjiang District,  
Hangzhou 310051, China  
T +86-571-8807-5998  
overseasbusiness@hikvision.com

**Hikvision USA**  
T +1-909-895-0400  
sales.usa@hikvision.com

**Hikvision Italy**  
T +39-0438-6902  
info.it@hikvision.com

**Hikvision Singapore**  
T +65-6684-4718  
sg@hikvision.com

**Hikvision Africa**  
T +27 (10) 0351172  
sale.africa@hikvision.com

**Hikvision Europe**  
T +31-23-55-42-770  
info.eu@hikvision.com

**Hikvision France**  
T +33(0)1-85-330-450  
info.fr@hikvision.com

**Hikvision Oceania**  
T +61-2-8599-4233  
salesau@hikvision.com

**Hikvision Hong Kong**  
T +852-2151-1761

**Hikvision Middle East**  
T +971-4-8816086  
salesme@hikvision.com

**Hikvision Spain**  
T +34-91-737-16-55  
info.es@hikvision.com

**Hikvision Canada**  
T +1-909-895-0400  
sales.usa@hikvision.com

**Hikvision Russia**  
T +7-495-669-67-99  
saleru@hikvision.com

**Hikvision Poland**  
T +48-22-460-01-50  
poland@hikvision.com

**Hikvision Korea**  
T +82-31-731-8841  
sales.korea@hikvision.com

**Hikvision India**  
T +91-22-28469900  
sales@pramahikvision.com

**Hikvision UK**  
T +01628-902140  
support.uk@hikvision.com

**Hikvision Brazil**  
T +55 11 3318-0050  
Latam.support@hikvision.com