

## DS-2CD2110F-I Indoor / Outdoor IR Fix Dome Camera, 1.3Mp, H.264, Day/Night



### Key Features

Up to 1.3 Mp (1280 × 960) @ 30 fps Resolution

Built-in Smart IR Led, up to 30mt

True Day Night, IR Cut Filter

Dual Stream

Built-in Smart Video Analysis

ROI (Region of Interest)

Backlight Compensation (BLC)

Digital WDR

Digital Noise Reduction

IP66

Vandal-Proof

**Low-Bit Stream Transmission** : With the advanced codec algorithm, HAIKON 2-line Smart IPC can realize an efficient encoding, and further minimize the system's load and storage requirement. For example: at a very low bitrate streaming condition, 2Mbps at 720p resolution, 2-line camera could increase the image quality up to 30%

**Dual Streams** : 2 streams gives much more flexibility to use different data stream for each independent purpose: Main stream: full resolution, Sub stream: low resolution .

**Smart IR** : The improved Smart IR function allows to auto adjust the IR strength to have a better visibility.

**ROI** : Based on user-defined ROI (**Region of interest**), camera can decrease a non-ROI's image quality to save maximum bandwidth and storage, also for having a better image quality of target ROI area under the same bitrate stream condition.

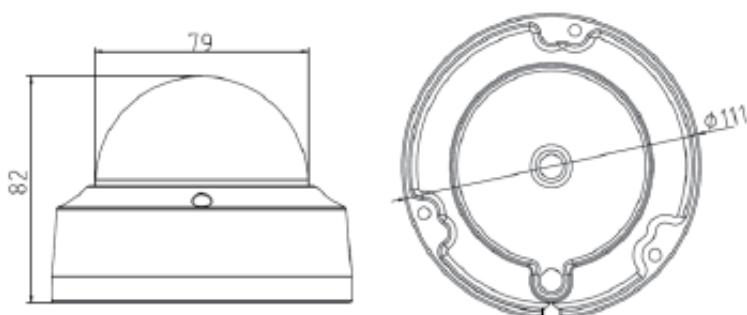
**Intrusion Detection** : Intrusion detection is very useful for defined area protection. when an intruder been detected, alarm or event recording will be directly triggered. With its auto analyze for the intruder's dimension ratio, the latest algorithm can effectively reduce the false alarm rate.

**Line Crossing** : Line crossing is very important application for border security. When the some attach come from border or any specific area that you selected, alarm or event recording will be directly triggered

## DS-2CD2110-I Indoor / Outdoor Fix Dome Camera Technical Specification

Image Sensor	1/3" Progressive Scan CMOS
Min. Illumination	0.01 Lux @ (F1.2, AGC ON), 0 lux with IR
Shutter Speed	1/25s to 1/100,000 s
S/N Ratio	50dB
Lens	4mm@ F2.0 (2.8mm, 6mm, 12mm optional)
Day & Night	IR cut filter with auto switch
Digital Noise Reduction	3D DNR
Wide Dynamic Range	DWDR
Video Compression	H.264 / MJPEG
H.264 Type	Main Profile
Video Bit Rate	32 Kbps – 16 Mbps
Dual Stream	Support
Max. Resolution	1280 × 960
Frame Rate	50 Hz: 25 fps (1280 × 960), 25 fps (1280 × 720), 25 fps (704 × 576), 25 fps (640 × 480) 60 Hz: 30 fps (1280 × 960), 30 fps (1280 × 720), 30 fps (704 × 576), 30 fps (640 × 480)
BLC	Support
Image Setting	Rotate mode, Saturation, Brightness, Contrast adjustable by client software or web browser
ROI	Support
Network Storage	NAS (Support NFS,SMB/CIFS)
Smart Video Analysis	Line Crossing, Intrusion Detection, Motion detection, Dynamic analysis, Tampering alarm, Network disconnect , IP address conflict, Storage exception
Protocols	TCP/IP,ICMP,HTTP,HTTPS,FTP,DHCP,DNS,DDNS,RTP,RTSP,RTCP, PPPoE,NTP,UPnP,SMTP,SNMP,IGMP,802.1X,QoS,IPv6,Bonjour
General	One-key reset, Flash-prevention, dual stream, heartbeat, mirror, password protection, privacy mask, watermark, IP address filtering, Anonymous access
Standard	ONVIF Profile S, PSIA, CGI, ISAPI
Communication Interface	1 RJ45 10M/100M Ethernet port
IR Range	Approx. 10 to 30 meters
Impact Protection	IEC60068-275Eh, 50J; EN50102, up to IK10
Ingress Protection	IP66
Operating Conditions	-30 °C ~ 60 °C (-22°F ~ 140 °F) humidity 95% or less (non-condensing)
Power Supply	12 V DC ± 10%, PoE (802.3af)
Power Consumption	Max. 5 W (Max. 7 W with IR cut filter on)
Dimensions	Φ111 × 82 (4.4" × 3.2")
Weight	500 g
Certification	CE EN 55022(CLASS B),EN50130-4,EN61000-3-2,EN 61000-3-3,EN60950-1 FCC CFR 47 FCC Part 15 subpart B(CLASS B) C-TICK AS/NZS CISPR 22:2009 (CLASS B) UL&cUL UL 60950-1, CSA C22.2 No. 60950-1-07 RoHS 2011/65/EU REACH No1907/2006 WEEE 2012/19/EU

## Dimension



## Ordering Information

DS-2CD2110F-I	1/3"Progressive Scan CMOS, Fix Dome with IR Led, ICR, 1280 x960, 1.3Mp@30fps, H.264/MJPEG/MPEG4,Dual Stream, DWDR, BLC, DC12V/PoE
---------------	---

## Competible Accessories

DS-1272ZJ-110	Wall Mount
DS-1259ZJ	Inclined Ceiling Mount

### Headquarters

No.555 Qianmo Road, Binjiang District,  
310051, Hangzhou, China.

Tel : +86-571-8807-5998

E-mail : [overseabusiness@hikvision.com](mailto:overseabusiness@hikvision.com)