

DS-2CV2Q01(E)FD-IW/(16G-T/32G-T/64G-T) 1.0 MP Network PT Camera



Key Features

- Up to 1.0 megapixel high resolution
- Two video streams
- 2.8mm fixed lens
- Digital Wide Dynamic Range
- 3D Digital Noise Reduction
- Build-in microphone and speaker, support two-way audio
- Support on-board storage, up to 128GB
- Up to 5 m IR range
- Built-in Wi-Fi
- DC 5V \pm 10 %, micro USB interface
- Mobile Monitoring via Hik-Connect



Specifications

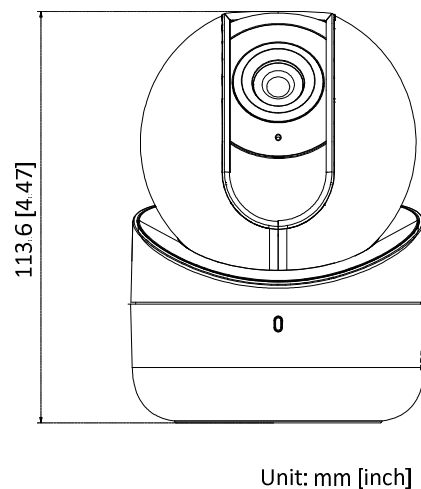
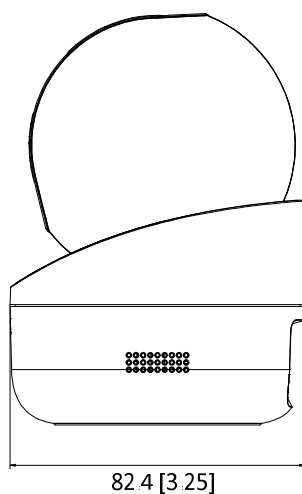
| Camera | |
|--------------------------------|--|
| Image Sensor | 1/4" Progressive Scan CMOS |
| Min. Illumination | 0.02Lux @ (F1.2, AGC ON), 0 Lux with IR |
| Shutter Speed | 1/3 s to 1/100,000 s |
| Slow Shutter | Support |
| Iris | F2.0 |
| Lens | 2.8mm, horizontal field of view 92° |
| Lens Mount | M12 |
| Day & Night | IR cut filter with auto switch |
| DNR | 3D DNR |
| Wide Dynamic Range | Digital WDR |
| Pan/Tilt | Pan: 0° to 355°; Tilt: -10° to 90° |
| Compression Standard | |
| Video Compression | Main stream: H.264 Sub stream: H.264 |
| H.264 Type | Baseline Profile/Main Profile |
| Video Bit Rate | 32 Kbps – 8 Mbps |
| Audio Compression | G.711/G.722.1/G.726/MP2L2/PCM |
| Audio Bit Rate | 64Kbps(G.711)/16Kbps(G.722.1)/16Kbps(G.726)/32-160Kbps(MP2L2) |
| Image | |
| Max. Resolution | 1280 × 720 |
| Main Stream Max. Frame Rate | 50Hz: 25fps (1280 × 720) 60Hz: 30fps (1280 × 720) |
| Sub Stream Max. Frame Rate | 50Hz: 25fps (704 × 576, 352 × 288, 640 × 480, 320 × 240) 60Hz: 30fps (704 × 480, 352 × 240, 640 × 480, 320 × 240) |
| Image Settings | Brightness, saturation, sharpness, contrast are adjustable via client software |
| Day/Night Switch | Support auto/scheduled |
| Backlight Compensation | Support, zone optional |
| Region of Interest | Support 1 fixed region for each stream |
| Audio | |
| Environment Noise Filter | Support |
| Audio Input/Output | Support mono soundtrack |
| Audio Sampling Rate | Max. 16 kHz |
| Network | |
| Network Storage | Support microSD/SDHC/SDXC card, up to 128 GB local storage |
| Detection | Motion Detection |
| Alarm Trigger | Video Tampering Alarm, HDD Full, HDD Error, Network Disconnected, IP Address Conflicted, Illegal Login |
| Protocols | TCP/IP, ICMP, HTTP, HTTPS, FTP, DHCP, DNS, RTP, RTSP, RTCP, NTP, UPnP, IGMP, QoS, IPv6, Bonjour, SMTP, 802.1x |
| Standard | ISAPI |
| General Function | One-key reset, Anti-flicker, Heartbeat, Mirror, Password Protection, Privacy Mask, Watermark |
| Interface | |
| Communication Interface | 1 RJ45 10M/100M self-adaptive Ethernet port |

| | |
|--------------------------|---|
| On-board Storage | Built-in microSD/SDHC/SDXC slot, up to 128 GB |
| Audio Interface | 1 build-in microphone, 1 build-in speaker |
| Reset | Yes |
| Wi-Fi | |
| Wireless Standards | IEEE802.11b, 802.11g, 802.11n |
| Frequency Range | 2.4 GHz - 2.4835 GHz |
| Channel Bandwidth | 20/40MHz Support |
| Protocols | 802.11b: CCK, QPSK, BPSK, 802.11g/n: OFDM |
| Security | 64/128-bit WEP, WPA/WPA2, WPA-PSK/WPA2-PSK, WPS |
| Transfer Rates | 11b: 11Mbps, 11g: 54Mbps, 11n: up to 150Mbps |
| Wireless Range | 50 meters (The performance varies based on actual environment) |
| General | |
| Operating Conditions | -10 °C to 40°C (14 °F to 104 °F), Humidity 95% or less (non-condensing) |
| Power Supply | DC 5V ± 10 %, micro USB interface |
| Current | Max. 1.4A |
| Power Consumption | Max. 7W |
| IR Range | Up to 5 meters |
| Material | Plastic |
| Memory Card | DS-2CV2Q01(E)FD-IW: no memory card included DS-2CV2Q01(E)FD-IW/16G-T: includes a 16 GB memory card DS-2CV2Q01(E)FD-IW/32G-T: includes a 32 GB memory card DS-2CV2Q01(E)FD-IW/64G-T: includes a 64 GB memory card |
| Dimensions | Φ 82.4 × 113.6 mm (Φ 3.25" × 4.47") |
| Weight (include package) | Approx. 510g (1.12 lb) |

Ordering Models

DS-2CV2Q01FD-IW, DS-2CV2Q01FD-IW/16G-T, DS-2CV2Q01FD-IW/32G-T, DS-2CV2Q01FD-IW/64G-T
DS-2CV2Q01EFD-IW, DS-2CV2Q01EFD-IW/16G-T, DS-2CV2Q01EFD-IW/32G-T, DS-2CV2Q01EFD-IW/64G-T

Dimensions



Distributed by

**HIKVISION®****Headquarters**

No.555 Qianmo Road, Binjiang District,
Hangzhou 310051, China
T +86-571-8807-5998
overseasbusiness@hikvision.com

Hikvision USA
T +1-909-895-0400
sales.usa@hikvision.com

Hikvision Italy
T +39-0438-6902
info.it@hikvision.com

Hikvision Singapore
T +65-6684-4718
sg@hikvision.com

Hikvision Africa
T +27 (10) 0351172
sale.africa@hikvision.com

Hikvision Europe
T +31-23-55-42-770
info.eu@hikvision.com

Hikvision France
T +33(0)1-85-330-450
info.fr@hikvision.com

Hikvision Oceania
T +61-2-8599-4233
salesau@hikvision.com

Hikvision Hong Kong
T +852-2151-1761

Hikvision Middle East
T +971-4-8816086
salesme@hikvision.com

Hikvision Spain
T +34-91-737-16-55
info.es@hikvision.com

Hikvision Canada
T +1-909-895-0400
sales.usa@hikvision.com

Hikvision Russia
T +7-495-669-67-99
saleru@hikvision.com

Hikvision Poland
T +48-22-460-01-50
poland@hikvision.com

Hikvision Korea
T +82-31-731-8841
sales.korea@hikvision.com

Hikvision India
T +91-22-28469900
sales@pramahikvision.com

Hikvision UK
T +01628-902140
support.uk@hikvision.com

Hikvision Brazil
T +55 11 3318-0050
Latam.support@hikvision.com