

DS-2CD2742FWD-I(S)(Z)



Key Features

- Up to 4 megapixel 2688×1520 @ 20fps resolution
- Standard video compression with high compression ratio, ROI (region of interest) encoding
- Progressive scan CMOS, capture motion video without incised margin
- Support dual stream, and the sub-stream for mobile surveillance
- High-performance and long service life Infrared LED, Approx. 10 to 20 meters IR range
- Built-in Micro SD/SDHC/SDXC card slot, up to 128 GB
- Support 120dB wide dynamic range
- IR cut filter with auto switch
- Vari-focus
- Motorized lens (-Z)
- Alarm & audio I/O (-S)
- PoE (Power over Ethernet)
- Ingress Protection level: IP66
- Electronic shutter for different surveillance environments
- Impact Protection: IEC60068-2-75 test, Eh, 20J; EN50102, up to IK10
- Other functions: reset, heartbeat, mirror, etc
- 3-axis adjustment
- Support VCA, which is compatible with NVR for the second time of video searching and analysing

Specification

Model	DS-2CD2742FWD-I(S)(Z)
Parameter	4 Megapixel Vandal-proof Network Dome Camera

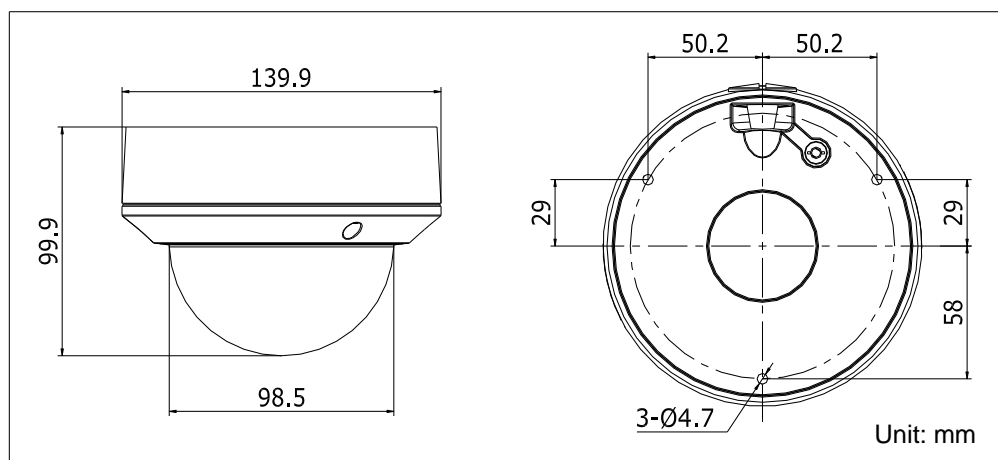
Camera	
Image Sensor	1/3" Progressive Scan CMOS
Min. Illumination	0.01Lux @(F1.2,AGC ON), 0 Lux with IR 0.014Lux @(F1.4,AGC ON), 0 Lux with IR
Shutter Speed	1/3 s to 1/10,000 s
Lens	2.8 - 12 mm @ F1.4 -Z: motorized lens
Angle Adjustment	Pan:0° - 355°, Tilt: 0° - 75°, Rotation: 0° - 355°
Lens Mount	Φ14
Day &Night	IR cut filter with auto switch
Digital Noise Reduction	3D DNR
Wide Dynamic Range	120dB
Compression Standard	
Video Compression	H.264/ MJPEG
H.264 Compression Type	Main Profile
Video Bit Rate	256 Kbps – 16 Mbps
Audio Compression(-S)	G.711/G.722.1/G.726/MP2L2
Audio Bit Rate(-S)	64Kbps(G.711) / 16Kbps(G.722.1) / 16Kbps(G.726) / 32-128Kbps(MP2L2)
Dual Stream	Yes
Image	
Max. Resolution	2688×1520
Frame Rate	50Hz: 20fps (2688×1520), 25fps(1920×1080), 25fps(1280×720) 60Hz: 20fps (2688×1520), 30fps (1920×1080), 30fps(1280×720)
Image Settings	Rotate mode, Saturation, Brightness, Contrast adjustable by client software or web browser
Backlight compensation	Yes, zone optional
ROI	Support
Network	
Network Storage	NAS (Support NFS,SMB/CIFS)
Alarm Trigger	Intrusion Detection, Line Crossing detection, Motion detection, Dynamic analysis, Tampering alarm, Network disconnect , IP address conflict, Storage exception
Protocols	TCP/IP,ICMP,HTTP,HTTPS,FTP,DHCP,DNS,DDNS,RTP,RTSP,RTCP, PPPoE,NTP,UPnP,SMTP,SNMP,IGMP,802.1X,QoS,IPv6,Bonjour
Security	One-key reset, Flash-prevention, dual stream, heartbeat, mirror, password protection, privacy mask, watermark, IP address filtering,

	Anonymous access
Standard	ONVIF, PSIA, CGI, ISAPI
Interface	
Communication Interface	1 RJ45 10M/100M Ethernet interface
Alarm interface	1 alarm I/O (-S)
Audio interface	1 audio I/O (-S)
On-board storage	Built-in Micro SD/SDHC/SDXC card slot, up to 128 GB
Reset Button	Yes
General	
Operating Conditions	-30 °C – 60 °C (-22 °F – 140 °F) Humidity 95% or less (non-condensing)
Power Supply	12 V DC ± 10% PoE (802.3af)
Power Consumption	Max. 5.5 W
Ingress Protection level	IP66
Impact Protection	IEC60068-275Eh, 20J; EN50102, up to IK10
IR Range	10~20 meters
Dimensions	Φ 140 × 99.9 mm (Φ 5.51" × 3.94")
Weight	1000g

Order Models

DS-2CD2742FWD-I, DS-2CD2742FWD-IS, DS-2CD2742FWD-IZ, DS-2CD2742FWD-ISZ

Dimensions



Accessories



In-ceiling mount
DS-1227ZJ



Wall mount
DS-1273ZJ-135



Junction box
DS-1280ZJ-DM21