

DS-2CD2T55FWD-I5

5 MP Network Bullet Camera

H.265+

- Up to 5 MP High Resolution
- Full 2560 × 1920 @20 fps
- 2.8 mm / 4 mm / 6 mm / 8 mm Fixed Lens
- Options
- H.265+, H.265, H.264+, H.264
- 120 dB Wide Dynamic Range
- 3D Digital Noise Reduction
- 12 VDC & PoE (802.3af)
- EXIR 2.0 with up to 165 ft (50 m) IR range
- MicroSD Card Slot Supports up to 128 GB
- IP67 Protection

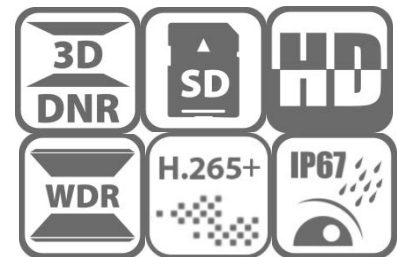
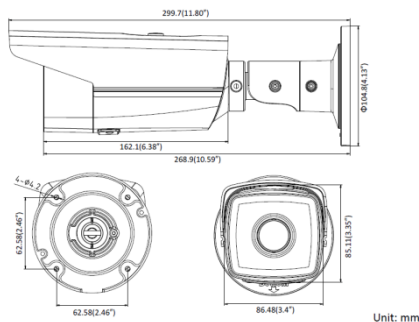


Available models:

DS-2CD2T55FWD-I5

Hikvision's DS-2CD2T55FWD-I5 provides important new technology for any security application. The H.265+ codec assures savings in bandwidth and storage. High quality and high resolution images are assured with the 5MP (2560 x 1920) image sensor. EXIR 2.0 technology enhances night time performance.

Dimensions



| DS-2CD2T55FWD-I5 | |
|------------------------------|--|
| Camera | |
| Image Sensor | 1/2.9" Progressive Scan CMOS |
| Minimum Illumination | Color: 0.027 lux @(F2.0, AGC ON), 0 lux with IR |
| Shutter Time | 1/3 s to 1/100,000 s |
| Slow Shutter | Supported |
| Lens | 81° (2.8 mm), 63.5° (4 mm), 50° (6 mm), 33° (8 mm) |
| Lens Mount | M12 |
| Iris | F1.6 |
| 3-Axis Adjustment | Pan: 0° to 360°; Tilt: 0° to 75°; Rotate: 0° to 360° |
| Day and Night | IR Cut Filter |
| DNR | 3D DNR |
| Wide Dynamic Range | 120 dB |
| Compression Standard | |
| Video Compression | Main stream: H.265+ / H.265 / H.264+ / H.264; sub stream: H.265+ / H.265 / H.264+ / H.264 / MJPEG; third stream: H.265+ / H.265 / H.264+ / H.264 |
| H.264 Type | Main profile / high profile |
| H.264+ | Support |
| H.265 Type | Main profile |
| H.265+ | Support |
| Video Bit Rate | 32 Kbps to 16 Mbps |
| Image | |
| Maximum Resolution | 2560 × 1920 |
| Main Stream | 20 fps (2560 × 1920), 30 fps (2560 × 1920, 2048 × 1536, 1920 × 1080, 1280 × 720) |
| Sub Stream | 30 fps (640 × 360, 352 × 240) |
| Third Stream | 30 fps (1920 × 1080, 1280 × 720, 640 × 360, 352 × 240) |
| Image Enhancement | BLC / 3D DNR |
| Image Settings | Rotate mode supported. Brightness, contrast, saturation, and sharpness are adjustable via web browser and client software |
| ROI (Region of Interest) | Separate support for one fixed region in main and sub streams |
| Day / Night Switch | Auto / scheduled |
| Network | |
| Network Storage | Support for microSD / SDHC / SDXC card (128G), local storage, NAS (NFS,SMB/CIFS), ANR |
| Alarm Trigger | Motion Detection, tampering alarm, network disconnected, IP address conflict, illegal login, HDD full, HDD error |
| Protocols | TCP/IP, UDP, ICMP, HTTP, HTTPS, FTP, DHCP, DNS, DDNS, RTP, RTSP, RTCP, PPPoE, NTP, UPnP, SMTP, SNMP, IGMP, 802.1X, QoS, IPv6 |
| Standard | ONVIF (PROFILE S, PROFILE G), PSIA, CGI, ISAPI |
| General Function | One-key reset, anti-flicker, heartbeat, mirror, password protection, privacy mask, watermark, IP address filter |
| Interface | |
| Communication Interface | 1 RJ45 10M/100M self-adaptive Ethernet port |
| On-board Storage | Built-in microSD / SDHC / SDXC slot, up to 128 GB |
| Smart Feature Set | |
| Behavior Analysis | Line crossing detection, intrusion detection, unattended baggage detection, object removal detection |
| Line Crossing Detection | Cross a pre-defined virtual line, up to 1 pre-defined virtual line supported |
| Intrusion Detection | Enter and loiter in a pre-defined virtual region, up to 1 pre-defined virtual region supported |
| Object Removal Detection | Objects removed from a pre-defined region, such as exhibits on display |
| Unattended Baggage Detection | Objects left over in the pre-defined region such as baggage, purses, and dangerous materials |
| Face Detection | Human face appears in the image can be detected and trigger linkage method |
| General | |
| Operating Conditions | -22° F to 140° F (-30° C to 60° C), Humidity 95% or less (non-condensing) |
| Power Supply | 12 VDC ± 25%, 6W; PoE(802.3af, 42.5 to 57 V, class 3) |
| Power Consumption | 12 VDC ± 25%, 7.5W; PoE, 9.5W |
| IR Range | Up to 165 ft (50 m) |
| Protection Level | IP67 |
| Dimensions | Camera: Φ 4.13" x 11.8" (Φ104.8 × 299.7 mm); Package: 15.2" x 6.14" x 6.1" (386 mm × 156 mm × 155 mm) |
| Weight | 2.65 lbs (1200 g) |

Accessories



CBS
Junction Box