

DS-2CE56H1T-AITZ

5 MP HD Motorized VF EXIR Dome Camera

- 1/3" (5 MP) High-Performance CMOS
- HD Analog Output, up to 5 MP Resolution
- 2.8 to 12 mm Motorized Vari-Focal Lens
- True Day / Night
- OSD Menu, DNR, Smart IR
- EXIR Technology, up to 98 ft (30 m) IR Distance
- IP65 Protection
- Up the Coax (HIKVISION-C)



Hikvision DS-2CE56H1T-AITZ EXIR Dome Cameras are a versatile solution for all of your security needs. They feature a wide range viewing angle that captures images with a resolution of 5 MP at up to 20 fps. The Bullet Camera supports the Hikvision-Up-the-Coax protocol, and is equipped with an IR lamp with a range of up to 98 ft (30 m), which facilitates nighttime recording.

Available models:
DS-2CE56H1T-AITZ

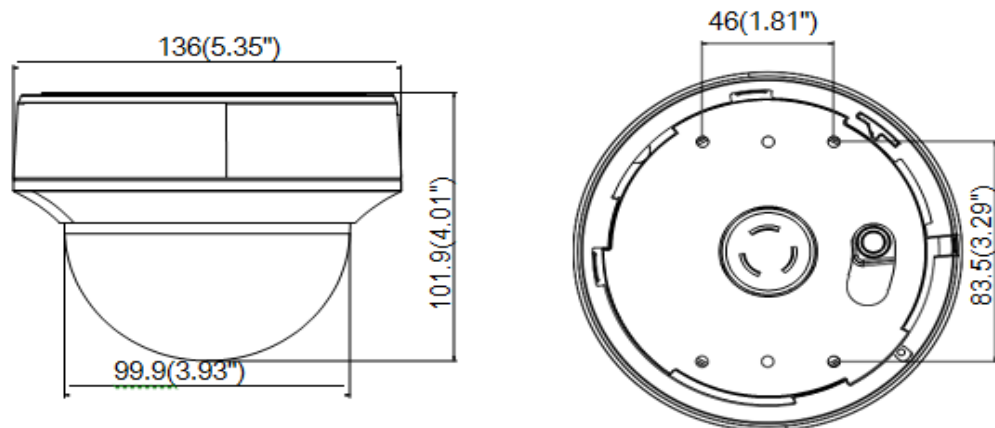


DS-2CE56H1T-AITZ	
Camera	
Image Sensor	5 MP CMOS image sensor
Effective Pixels	2592 (H) × 1944 (V)
Minimum illumination	Color: 0.01 Lux @ (F1.2, AGC ON), 0 Lux with IR
Shutter Time	PAL: 1/25 s to 1/50,000 s NTSC: 1/30 s to 1/50,000 s
Lens	Motorized VF lens; 2.8 to 12 mm
Horizontal Field of View	27.7° to 86.8° (2.8 to 12 mm)
Lens Mount	Ø14
Day & Night	CR
Angle Adjustment	Pan: 0° to 355°; Tilt: 0° to 75°; Rotate: 0° to 355°
Synchronization	Internal synchronization
Video Frame Rate	2592 × 1944 @ 20 fps
HD Video Output	1 HD analog output
Menu	
AGC	Supported
D/N Mode	Auto / color / BW (black and white)
White Balance	ATW / MWB
BLC	Supported
Language	English, Chinese
Functions	Brightness, sharpness, digital noise reduction, mirror, bad pixel correction, smart IR
General	
Operating Conditions	-40° F to 140° F (-40° C to 60° C), Humidity 90% or less (non-condensing)
Power Supply	12 VDC ± 15%; 24 VAC ± 15%
Power Consumption	Maximum 6.5 W
IR Range	Up to 98 ft (30 m)
Communication	Up-the-Coax Protocol: HIKVISION-C (HD-TVI output)
Dimensions	Φ 5.35" × 4.02" (Φ 136 mm × 102 mm)
Weight	1.32lb (approximately 600g)

Accessories

 PM Vertical Pole Mount	 WML + PC130 Wall Mounting	 DS-1H18 Video Bailun	
 CMPL Horizontal Pole Mount	 CPM + PC130 Pendant Mounting	 WMS + PC130 Wall Mounting	 RCM In-Ceiling Mounting

Dimensions



Unit: mm