

DH-CA-FW191I

Mega-HDIS Water-proof IR-Bullet Camera



Features

- 1/3" 1.3Mega HDIS
- High resolution of 800TVL
- Day/Night(ICR), 3DNR, AWB, AGC, BLC
- 6mm fixed lens (2.8mm, 3.6mm, 8mm optional)
- Max. IR LEDs length 20m, Smart IR
- IP66, DC12V

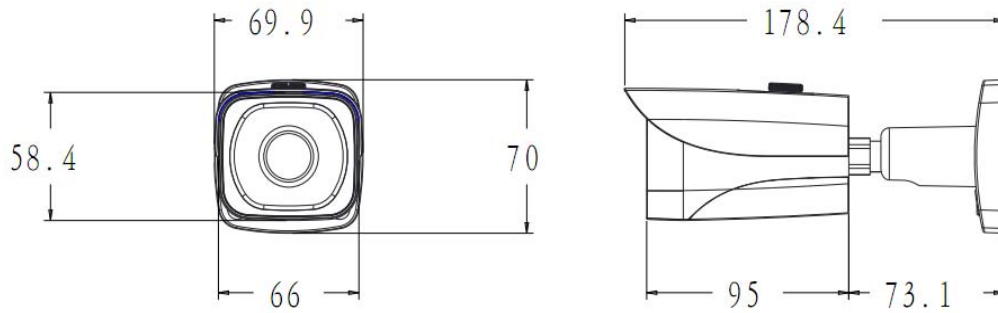
DH-CA-FW191I

Technical Specifications

Model	DH-CA-FW191IP	DH-CA-FW191IN
Camera		
Image Sensor	1/3" 1.3Mega HDIS	
Effective Pixels	1280(H)×960(V)	
Horizontal Resolution	800TVL	
Electronic Shutter	4/25s~1/45,000s	4/30s~1/54,000s
Synchronization	Internal	
Mini. Illumination	0.01Lux@F1.2(AGC ON), 0Lux IR on	
S/N Ratio	More than 65dB (AGC OFF)	
Video Output	1Vp-p Composite Output (75Ω/BNC)	
Camera Features		
Max. IR LEDs Length	20m, Smart IR	
Day/Night	Auto(ICR) / Color / B/W	
Backlight Compensation	BLC	
White Balance	Auto	
Gain Control	Auto	
Noise Reduction	2D/3D	
Lens		
Focal Length	6mm fixed lens (2.8mm, 3.6mm, 8mm optional)	
Angle of View	H: 46.5° (89° /70° /35°)	
Mount Type	M12	
General		
Power Supply	DC12V±10%	
Power Consumption	Max 3.6W	
Working Environment	-40°C~+60°C / Less than 95%RH	
Ingress Protection	IP66	
Dimensions(W×D×H)	178.4mm×69.9mm×70.0mm	
Weight	0.5kg	

DH-CA-FW191I

Dimensions (mm)



Accessories (optional)

		
PFA121	PFA150	PFA152

Dahua Technology Co., Ltd.

1187 BinAn Road, Binjiang District, Hangzhou, China

Tel: +86-571-87688883

Fax: +86-571-87688815

Email: overseas@dahuatech.com

www.dahuatech.com

*Design and specifications are subject to change without notice.

© 2013 Dahua Technology Co., Ltd.