

DH-HAC-HFW1100D-B

1Megapixel 720P Water-proof IR HDCVI Camera



Features

- 1/2.9" 1Megapixel CMOS
- 25/30fps@720P
- High speed, long distance real-time transmission
- Day/Night(ICR), AWB, AGC, BLC, 2D-DNR
- 8mm fixed lens (3.6 mm, 6mm, 12mm, 16mm optional)
- Max. IR LEDs length 50m, Smart IR
- IP66, DC12V
- Default with bracket

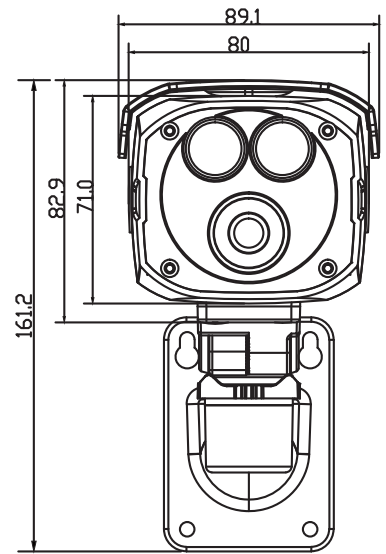
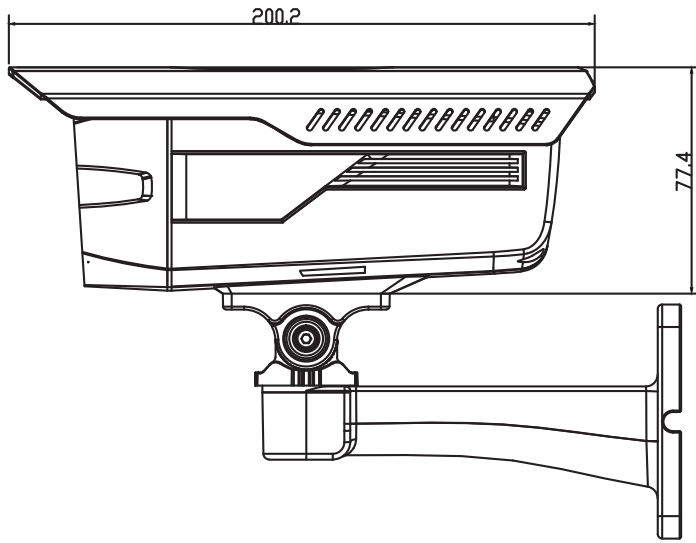
DH-HAC-HFW1100D-B

Technical Specifications

Model	DH-HAC-HFW1100DP-B	DH-HAC-HFW1100DN-B
Camera		
Image Sensor	1/2.9" 1Megapixel CMOS	
Effective Pixels	1280(H)×720(V)	
Electronic Shutter	1/50s~1/100,000s	1/60s~1/100,000s
Video Frame Rate	25fps@720P	30fps@720P
Synchronization	Internal	
Min. Illumination	0.01Lux@F1.2 (AGC ON), 0Lux IR LED on	
Video Output	1-channel BNC HDCVI high definition video output	
Camera Features		
Max. IR LEDs Length	50m, Smart IR	
Day/Night	Auto(ICR) / Color / B/W	
Noise Reduction	2D	
Lens		
Focal length	8mm (3.6 mm, 6mm, 12mm, 16mm optional)	
Angle of View	H: 39.9° (79.7° /52.2° /25.2° /18.7°)	
Mount Type	M12	
General		
Power Supply	DC12V±10%	
Power Consumption	Max 7W	
Working Environment	-30°C~+60°C/ Less than 95%RH (no condensation)	
Transmission Distance	Over 500m via 75-3 coaxial cable	
Ingress Protection	IP66	
Dimensions(W×D×H)	200.2mm×89.1mm×161.2mm	
Weight	0.58kg	
Others	Default: bracket included	

DH-HAC-HFW1100D-B

Dimensions (mm)



Dahua Technology Co., Ltd.

1199 BinAn Road, Binjiang District, Hangzhou, China

Tel: +86-571-87688883

Fax: +86-571-87688815

Email: overseas@dahuatech.com

www.dahuasecurity.com

*Design and specifications are subject to change without notice.

© 2014 Dahua Technology Co., Ltd.