

## DH-IPC-HDW2100

---

### 1.3Megapixel HD Network IR Mini Dome Camera



#### Features

- 1/3" 1.3Megapixel progressive scan Aptina CMOS
- H.264 & MJPEG dual-stream encoding
- Max 15fps@1.3M(1280×960)&25/30fps@720P(1280×720)
- Day/Night(ICR), 2DNR, AWB, AGC, BLC
- Multiple network monitoring: Web viewer, CMS(DSS/PSS) & DMSS
- 3.6mm fixed lens (2.8mm,6mm,8mm optional)
- Max. IR LEDs Length 20m
- IP66, PoE

# DH-IPC-HDW2100

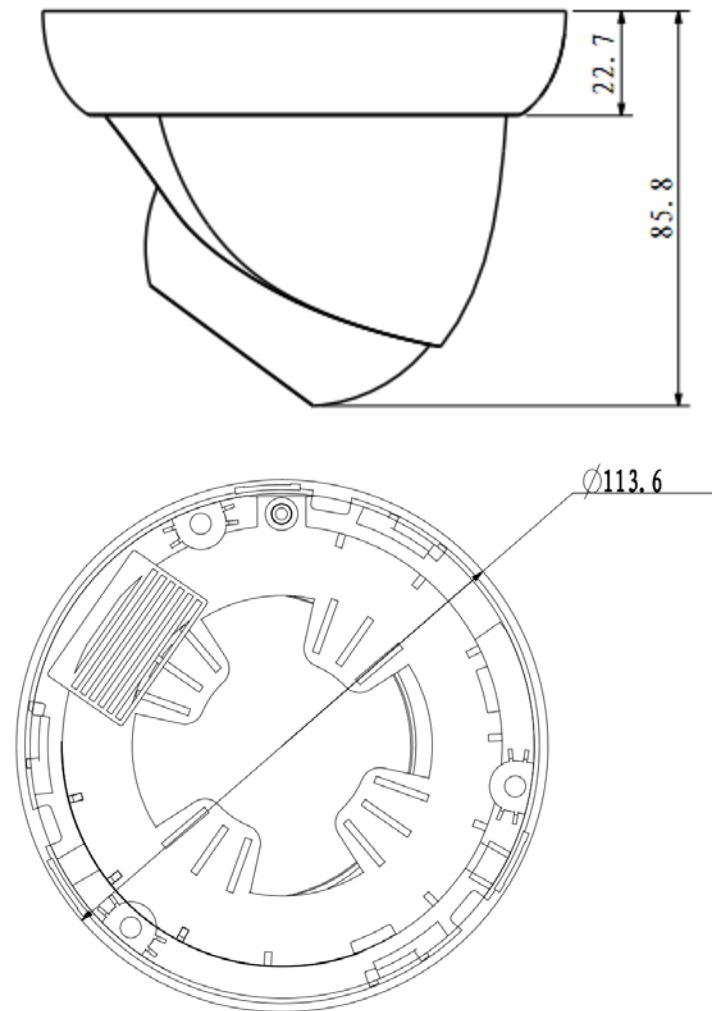
## Technical Specifications

Model		DH-IPC-HDW2100CP	DH-IPC-HDW2100CN
<b>Camera</b>			
Image Sensor		1/3" 1.3Megapixel Aptina CMOS	
Effective Pixels		1280(H)x960(V)	
Scanning System		Progressive	
Electronic Shutter Speed		Auto/Manual 1/3~1/10000	Auto/Manual 1/4~1/10000
Min. Illumination		Color: 0. 1LUX/F1.4, B/W: 0.005LUX/F1.4,0Lux (IR on)	
S/N Ratio		>50dB	
<b>Camera Features</b>			
Max. IR LEDs Length		20m	
Day/Night		Auto(ICR) / Color / B/W	
Backlight Compensation		BLC	
White Balance		Auto	
Gain Control		Auto/Manual	
Noise Reduction		2D	
Privacy Masking		Up to 4 areas	
<b>Lens</b>			
Focal Length		3.6mm (2.8mm,6mm,8mm optional)	
Max Aperture		F1.8(F2.0/F1.8/F1.8)	
Angle of View		H: 70°(114°/46°/35°)	
Mount Type		Board-in Type	
<b>Video</b>			
Compression		H.264 / MJPEG	
Resolution		1.3M(1280×960) / 720P(1280×720) / D1(704×576) / CIF(352×288)	1.3M(1280×960) / 720P(1280×720) / D1(704×480) / CIF(352×240)
Frame Rate	Main Stream	1.3M(1~15fps)/720P(1 ~ 25/30fps)	
	Sub Stream	D1/CIF(1 ~ 25/30fps)	
Bit Rate		H.264: 32K ~ 8192Kbps, MJPEG: 32K ~ 12288Kbps	
<b>Network</b>			
Ethernet		RJ-45 (10/100Base-T)	
Protocol		IPv4/IPv6, HTTP, HTTPS, SSL, TCP/IP, UDP, UPnP, ICMP, IGMP, SNMP, RTSP, RTP, SMTP, NTP, DHCP, DNS, PPPOE, DDNS, FTP, IP Filter, QoS, Bonjour	
ONVIF		ONVIF Ver. 2.0	
Max. User Access		10 users	
Smart Phone		iPhone, iPad, Android, Windows Phone	
<b>General</b>			
Power Supply		DC12V, PoE (802.3af)	
Power Consumption		<4W	
Working Environment		-10°C~+60°C, 10%~90%	

## DH-IPC-HDW2100

Ingress Protection	IP66
Dimensions	Φ114 x 86
Weight	288g

### Dimensions (mm)



---

### Dahua Technology Co., Ltd.

1187 BinAn Road, Binjiang District, Hangzhou, China

Tel: +86-571-87688883

Fax: +86-571-87688815

Email: [overseas@dahuatech.com](mailto:overseas@dahuatech.com)

[www.dahuatech.com](http://www.dahuatech.com)

\*Design and specifications are subject to change without notice.

© 2012 Dahua Technology Co., Ltd.