

SPECIFICATION



FEATURES

- HD-CVI 1.3MP 1/3Ex-view Cmos, 10X Optical zoom ;
- Precision motor-driven, keen responsive, smoothly operation, the precision deviation less than 0.1 degree
- Support lightning protection, anti-surge, anti-surge function;
- Protection Grade: IP66
- Support Coax cable control, 500m transmission distance
- Support OSD English Menu

DIMENTION

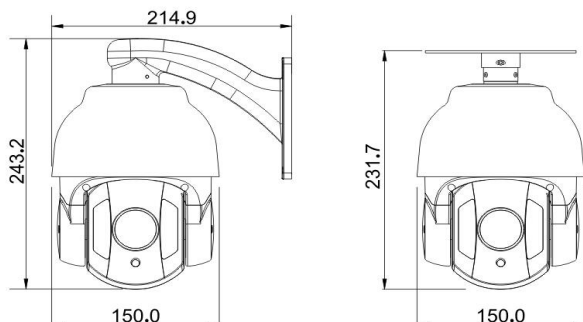


Image Sensor	1/3"Ex-view 1.3 Mega Pixel CMOS
Effective pixels	1280X720
Module	
illumination	Color: 0.1Lux, B/W: 0.001Lux
Image	Pan/Tilt/Pan+Tilt/Off
Exposure mode	Manual/Auto
S/N	≥52dB
Back-light compensation	On/off
Zone scanning	support
Shutter Speed	1/30-1/30,000s
Scan System	Progressive Scan
Synchronous	Internal Synchronization
Day/Night	Support IR-CUT Color turn Black
Focus mode	Manual/Auto/Auto Focus
Lens initialization	Internal
Optical zoom	10X optical zoom, f=5-50mm
Min. Focal Length	100mm~1000mm
Angle of view	H:47°-5.3°V : 35.6°-3.96°
penetrate the fog	Support
PTZ	
OSD Menu	English
IR Distance	60-80M
IR Angle	Following zoom module 3 groups adjust
Pan speed	360° endless, 0.6°-200°/s
Tilt speed	0°-90°(support auto flip) 3.5-35°/s
Tilt range	0°-90°, auto flip 180°
Manual Speed	High, Middle, Low speed adjustable
Proportional Zoom	Support
Preset	220
Patrol	8, each patrol can contain up to 32 presets
Pattern scan	4, each group can recording 100 action
Scan between two presets	support
Park Action	support, selectable preset, cruise, pattern scan, two-line scan, automatic level
Zone Limit	Support
Video Output	HDCVI, PAI/NTSC, BNC Cable
Others	
Power supply/Control	DC 12V 2A, RS485
Power consumption	20 MAX(heater)
Working Temperature/Humidity	-20°C-60°C, ≤90%RH(frostless)
Protection Grade	TVS3000V lightning protection, surge protection and voltage transient protection, weather proof (for outdoor): IP66
Package dimension(mm)	225*245*230mm
Weight(Kg)	3.0kg

