

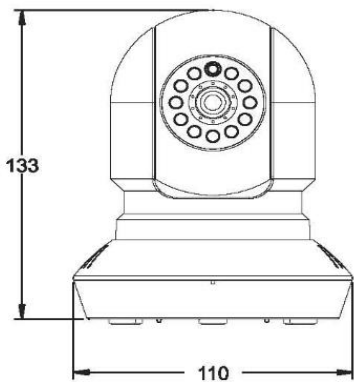
# WIP052 1/4 CMOS Lens 3.6mm IR Camera



## FEATURES

- 1/4 CMOS Sensor
- Lens 3.6mm
- Max. IR LEDs Length 10m
- Support P2P

## DIMENTION



## SPECIFICATION

Image Sensor	1/4 CMOS Sensor
Min. Illumination	0.1Lux IR On
Lens	3.6mm
IR LED	10pcs 10m IR
Pan/Tilt	Pan 355°C / Tilt 80°C
<b>Video</b>	
Compression	H.264
Resolution	720P(1280× 720) / Q720P(640×352) / QQ720P(320×176)
Bit Rate	2K ~ 6Mbps
<b>Audio</b>	
Compression	G.726/ G.711
Interface	1/1 channel In/Out
<b>Auxiliary Interface</b>	
Ethernet	RJ-45 (10/100Base-Tx)
Wi-Fi	WiFi 802.11b/g/n
Protocol	TCP/IP,HTTP,TCP,ICMP,UDP, UPnP,ARP,IGMP,SMTP, NTP, DHCP, DNS, PPPOE, DDNS, FTP, IP Filter, QoS, RTS,NTP,UPNPBonjour,P2P
Smart Phone	iPhone, iPad, Android,
Memory Slot	Micro SD, Max 64GB
<b>General</b>	
Power Supply	DC5V/2A
Power Consumption	6W
Dimensions	135mm×124mm×132mm
Working Environment	10°C~+50°C / 10°C~+95°C

