

## DS-2TD4136-25/50

### Thermal & Optical Bi-spectrum Network Speed Dome



Hikvision DS-2TD4136-25/50 Thermal & Optical Bi-spectrum Network Speed Dome is applied to perimeter defense and fire-prevention purposes in critical infrastructures such as: airport, railway, prison, power station, 4S stores, and so on. The pre-alarm system helps you discover unexpected events immediately and protects you from property loss.

#### Smart Function (Thermal Imaging)

- Leading image processing technology: Adaptive AGC, DDE, 3D DNR, NETD < 40mk (@25°C, F#=1.0)
- Smart tracking: Panorama tracking, Event tracking and Multi-scene patrol tracking
- Smart tracking linkage: thermal view and optical view
- Powerful behavior analysis algorithm: Line crossing, Intrusion, Region Entrance & Exit
- Reliable temperature exception alarm function
- Advanced fire detection algorithm

#### Thermal Imaging Module Function

- 384\*288 resolution, high sensitivity sensor, support contrast adjustment
- Support shutter adjustment in various modes
- 3D DNR, 15 palettes of color adjustable, image detail enhancement



## Specifications

Parameter		Model	DS-2TD4136-25	DS-2TD4136-50
		Thermal & Optical Bi-spectrum Network Speed Dome		
Thermal module	Image sensor	Vanadium Oxide Uncooled Focal Plane Arrays		
	Max. Resolution	384 × 288		
	Detector Pitch	17μm		
	Response waveband	8μm to 14μm		
	NETD	< 40mk (@25°C,F#=1.0)		
	Lens (focal length)	25mm	50mm	
	MRAD	0.68	0.34	
	Field of View	15° x 11°	7.47° x 5.61°	
	Min. Focusing Distance	1.5 m	7.5 m	
	F number	1.0		
Optical camera	Image Sensor	1/1.9" Progressive Scan CMOS		
	Min. Illumination	Color: 0.002 lux @ (F1.5 , AGC On ) B/W : 0.0002 lux @ (F1.5 , AGC On )		
	Focal Length	5.7-205.2mm, 36x		
	Digital Zoom	16 X		
	Field of View	58.7° - 2.0° (Wide-Tele)		
	Min. Working Distance	10-1500mm (Wide-Tele)		
	Aperture Range	F1.5-F4.5		
	Focus Mode	Auto / Semiautomatic / Manual		
	WDR	120dB		
	Shutter Time	PAL: 1-1/30,000s / NTSC: 1-1/30,000s		
	White Balance	Auto/Manual /ATW/Indoor/Outdoor/Daylight lamp/Sodium lamp		
	Day & Night	IR Cut Filter		
	Privacy Mask	24 privacy masks programmable; optional multiple colors and mosaics		
	Optical Defog	Yes		
Smart function	VCA	Support 4 VCA rule types (Line Crossing, Intrusion, Region Entrance, and Region Exiting), 10 scenes and 8 VCA rules for each scene.		
	Temperature Measurement	Support 3 temperature measurement rule types, over 256 presets as scene, 21 rules of each scene (10 points, 10 regions, and 1 line)		
	Temperature range	-20 °C to 150 °C (-4 °C to 302 °F)		
	Temperature accuracy	±8 °C (14.4 °F)		
	Fire detection	Support 10 fire points		
PTZ	Movement Range	Pan: 360° Continuous Rotate; Tilt: From -15° to + 90° (auto flip)		
	Pan Speed	Configurable, From 0.1°/s to 160°/s, Preset Speed: 240°/s		
	Tilt Speed	Configurable, From 0.1°/s to 120°/s, Preset Speed: 200°/s		
	Proportional Zoom	Yes		
	Presets	300		
	Patrol Scan	8; Up to 32 Presets Per Patrol		
	Pattern Scan	4; More Than 10 Minutes Per Pattern		
	Power Off Memory	Yes		
	Park	Preset/Pattern Scan/Patrol Scan/Auto Scan/Tilt Scan/Random Scan/Frame Scan/Panorama Scan		
	PT Status	Turn On/Turn Off		
	Scheduled Task	Preset/Pattern Scan/Patrol Scan/Auto Scan/Tilt Scan/Random Scan/Frame Scan/Panorama Scan/Doom Reboot/Doom Adjust/Aux Output		
Infrared	IR Distance	Up to 200m		
	IR Intensity and Angle	Auto Adjust		
Network	Main Stream	Optical: 50Hz:25fps(1920×1080), 25fps(1280×960), 25fps(1280×720) Optical: 60Hz:30fps(1920×1080), 30fps(1280×960), 30fps(1280×720) Thermal: 50fps(384 × 288)		

	Sub stream	50Hz:25fps (704 × 576), 25fps (352 × 288), 25fps (176 × 144) 60Hz:30fps (704 × 480), 30fps (352 × 240), 30fps (176 × 120) Thermal: 50fps (384 × 288)
	Video compression	H.264 (Baseline/Main/High Profile) /MJPEG/MPEG4
	Audio compression	G.711u/G.711a/G.722.1/MP2L2/G.726/PCM
	Protocols	IPv4/IPv6,HTTP,HTTPS,802.1x,Qos,FTP,SMTP,UPnP,SNMP,DNS,DDNS,NTP,RTSP,RTCP,RTP,TCP,UDP,IGMP,ICMP,DHCP,PPPoE, Bonjourl
	Simultaneous live view	Up to 20-ch
	User/Host level	Up to 32 users, 3 levels: Administrator, Operator, User
	Security measures	User authentication (ID and PW), MAC address binding, HTTPS encryption, IEEE 802.1x access control, IP address filtering
<b>Integration</b>	Alarm Input	Up to 7-ch Input (0-5V DC)
	Alarm Output	Up to 2-ch Relay Output; Support Alarm Linkage
	Alarm Action	Preset/Patrol Scan/Pattern Scan/SD Card Record/Relay Output/Smart capture/FTP upload/Email linkage
	Audio Input	LINE_IN Input/MIC Input; Peak: From 2 to 2.4V[p-p]; Output Impedance: 1KΩ±10%
	Audio Output	Linear Level; Impedance: 600Ω
	Communication Interface	Built-in RJ45; 10M/100M Ethernet Interface
	Onboard Storage	Built-in Micro SD/SDHC/SDXC Card Slot, Up to 64GB; Support Manual/Alarm Recording
	Analog Video Output	1.0V [p-p]/75Ω, PAL/NTSC/BNC
	RS485	Half-Duplex; HIKVISION, PELCO-P and PELCO-D Self-adaptive
	API	Open-ended API, support ISAPI; Support HIKVISION SDK and Third-party Management Platform
	Client	iVMS-4200
	Web Browser	IE 7+, Chrome 18+, Firefox 5.0+, Safari 5.02+; Multiple Languages
<b>General</b>	Menu	English
	Wiper	Yes
	Power	24V AC, 60W
	Work Temperature/Humidity	From -40°C to 60°C (-40°F to 140°F); Humidity: 90% or Less
	Protection Level	IP66 Standard; TVS 6000V Lightning Protection, Surge Protection and Voltage Transient Protection
	Weight	Approx. 8kg (17.64 lb)

## Wide Range Coverage for Different Specifications

**Note:** The table below is only for reference, the performance varies from model to model, and the specific data is based on 17 μm detector-pitch.

Lens (focal length)	7mm	10mm	15mm	25mm	35mm	50mm	75mm
Detection range (Vehicles)	631m	902m	1353m	2255m	3157m	4510m	6765m
Detection range (Humans)	206m	294m	441m	735m	1029m	1471m	2206m
Recognition range (Vehicles)	158m	225m	338m	564m	789m	1127m	1691m
Recognition range (Humans)	51m	74m	110m	184m	257m	368m	551m
Identification range (Vehicles)	79m	113m	169m	282m	395m	564m	846m
Identification range (Humans)	26m	37m	55m	92m	129m	184m	276m

## Smart functions Range Table

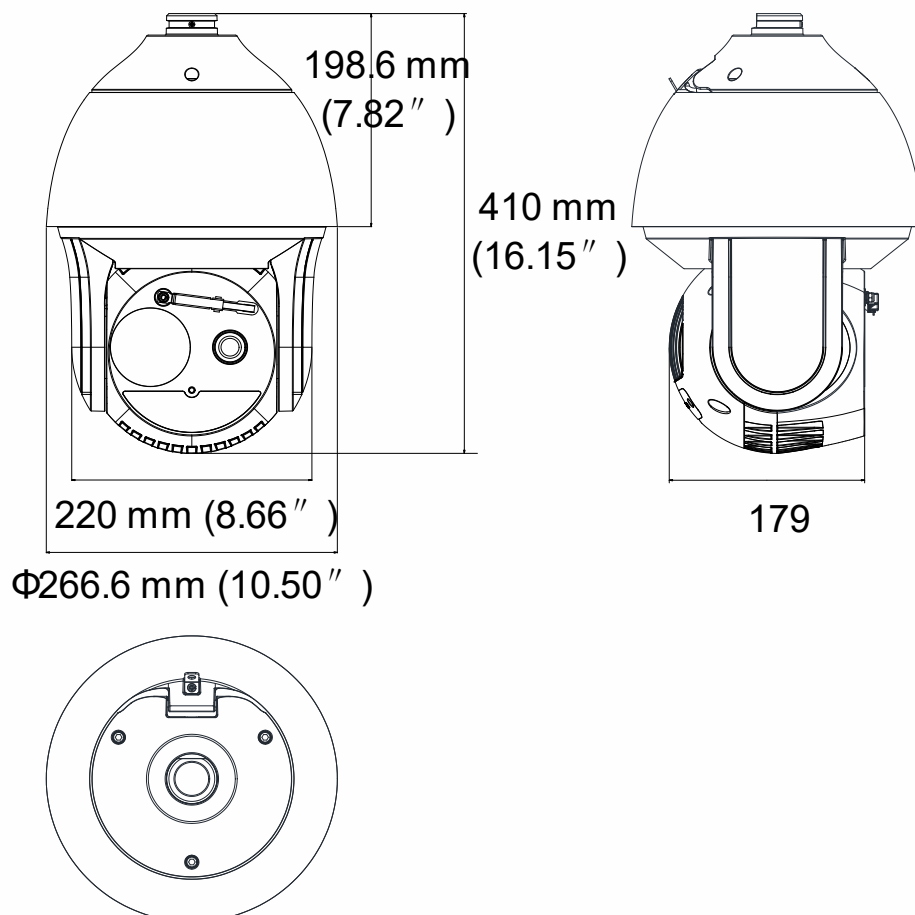
**Note:** The table below is only for reference, the performance varies from model to model, and the specific data is based on 17 μm detector-pitch.

Lens	VCA trigger distance		Temperature measurement				Fire detection			
	Human (1.8×0.5m)	Vehicle (1.4×4.0m)	2×2m	1×1m	0.5×0.5m	0.2×0.2m	2×2m	1×1m	0.5×0.5m	0.2×0.2m
25	250	750	585	295	145	60	1470	735	365	145
35	350	1050	819	413	203	84	2058	1029	511	203
50	500	1500	1170	590	290	120	2940	1470	730	290
75	750	2250	1755	885	435	180	4410	2205	1095	435
100	1000	3000	2340	1180	580	240	5880	2940	1460	580
150	1050	3150	3510	1770	870	360	8820	4410	2190	870
180	1260	3780	4212	2124	1044	432	10584	5292	2628	1044

## Order Models

DS-2TD4136-25; DS-2TD4136-50

## Dimensions



Distributed by

**HIKVISION®****Headquarters**

No.555 Qianmo Road, Binjiang District,  
Hangzhou 310051, China  
T +86-571-8807-5998  
overseasbusiness@hikvision.com

**Hikvision USA**  
T +1-909-895-0400  
sales.usa@hikvision.com

**Hikvision Italy**  
T +39-0438-6902  
info.it@hikvision.com

**Hikvision Singapore**  
T +65-6684-4718  
sg@hikvision.com

**Hikvision Africa**  
T +27 (10) 0351172  
sale.africa@hikvision.com

**Hikvision Europe**  
T +31-23-55-42-770  
info.eu@hikvision.com

**Hikvision France**  
T +33(0)1-85-330-450  
info.fr@hikvision.com

**Hikvision Oceania**  
T +61-2-8599-4233  
salesau@hikvision.com

**Hikvision Hong Kong**  
T +852-2151-1761

**Hikvision Middle East**  
T +971-4-8816086  
salesme@hikvision.com

**Hikvision Spain**  
T +34-91-737-16-55  
info.es@hikvision.com

**Hikvision Canada**  
T +1-909-895-0400  
sales.usa@hikvision.com

**Hikvision Russia**  
T +7-495-669-67-99  
saleru@hikvision.com

**Hikvision Poland**  
T +48-22-460-01-50  
poland@hikvision.com

**Hikvision Korea**  
T +82-31-731-8841  
sales.korea@hikvision.com

**Hikvision India**  
T +91-22-28469900  
sales@pramahikvision.com

**Hikvision UK**  
T +01628-902140  
support.uk@hikvision.com

**Hikvision Brazil**  
T +55 11 3318-0050  
Latam.support@hikvision.com