

## DH-CA-DW191E

---

### Mega-HDIS Water-proof IR Mini Dome Camera



#### Features

- 1/3" 1.3Mega HDIS
- High resolution of 800TVL
- Day/Night(ICR), 3DNR, AWB, AGC, BLC
- 3.6mm fixed lens (2.8mm, 6mm, 8mm optional)
- Max. IR LEDs length 20m, Smart IR
- IP66, DC12V

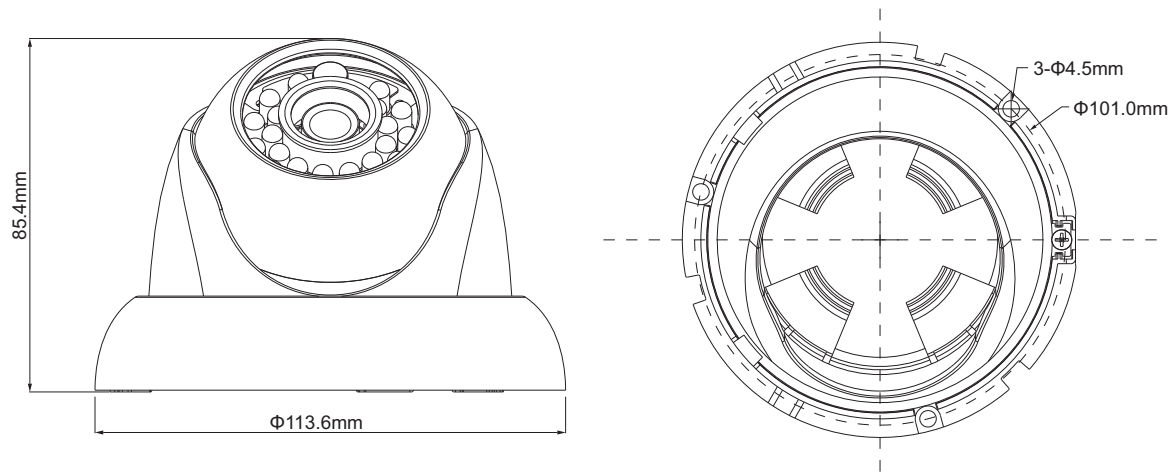
# DH-CA-DW191E

## Technical Specifications




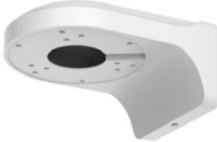

| Model                  | DH-CA-DW191EP                    | DH-CA-DW191EN  |
|------------------------|----------------------------------|----------------|
| <b>Camera</b>          |                                  |                |
| Image Sensor           | 1/3" 1.3Mega HDIS                |                |
| Effective Pixels       | 1280(H)×960(V)                   |                |
| Horizontal Resolution  | 800TVL                           |                |
| Electronic Shutter     | 4/25s~1/45,000s                  | 4/30~1/54,000s |
| Synchronization        | Internal                         |                |
| Min. Illumination      | 0.01Lux@F1.2(AGC ON), 0Lux IR on |                |
| S/N Ratio              | More than 65dB(AGC Off)          |                |
| Video Output           | 1Vp-p Composite Output (75Ω/BNC) |                |
| <b>Camera Features</b> |                                  |                |
| Max. IR LEDs Length    | 20m, Smart IR                    |                |
| Day/Night              | Auto(ICR) / Color / B/W          |                |
| Backlight Compensation | BLC                              |                |
| White Balance          | Auto                             |                |
| Gain Control           | Auto                             |                |
| Noise Reduction        | 2D/3D                            |                |
| <b>Lens</b>            |                                  |                |
| Focal Length           | 3.6mm (2.8mm, 6mm, 8mm optional) |                |
| Angle of View          | H: 70° (89° /46.5° /35°)         |                |
| Mount Type             | M12                              |                |
| <b>General</b>         |                                  |                |
| Power Supply           | DC12V±10%                        |                |
| Power Consumption      | Max 3.5W                         |                |
| Working Environment    | -40°C~+60°C / 20%~80%RH          |                |
| Ingress Protection     | IP66                             |                |
| Dimensions             | Φ113.6mm×85.4mm                  |                |
| Weight                 | 0.3kg                            |                |

# DH-CA-DW191E

## Dimensions (mm)



## Accessories (optional)

|  |  |  |   |  |
|--|--|--|---|--|
|  |  |  |  |  |
| PFA130   | PFA151   | PFA152   | PFB200W   | PFA122   |

### Dahua Technology Co., Ltd.

1187 BinAn Road, Binjiang District, Hangzhou, China

Tel: +86-571-87688883

Fax: +86-571-87688815

Email: [overseas@dahuatech.com](mailto:overseas@dahuatech.com)

[www.dahuasecurity.com](http://www.dahuasecurity.com)

\*Design and specifications are subject to change without notice.

© 2013 Dahua Technology Co., Ltd.