

DH-HAC-HFW2120B-B

1.4Megapixel 720P Water-proof IR HDCVI Camera



Features

- 1/3" 1.4Megapixel CMOS
- 25/30/50/60fps@720P
- High speed, long distance real-time transmission
- HD and standard definition switchable
- OSD Menu, control over coaxial cable
- Day/Night(ICR), AWB, AGC, BLC, 3D-DNR
- 6mm fixed lens (2.8 mm, 3.6mm, 8mm optional)
- Max. IR LEDs length 30m, Smart IR
- IP66, DC12V
- Default with bracket

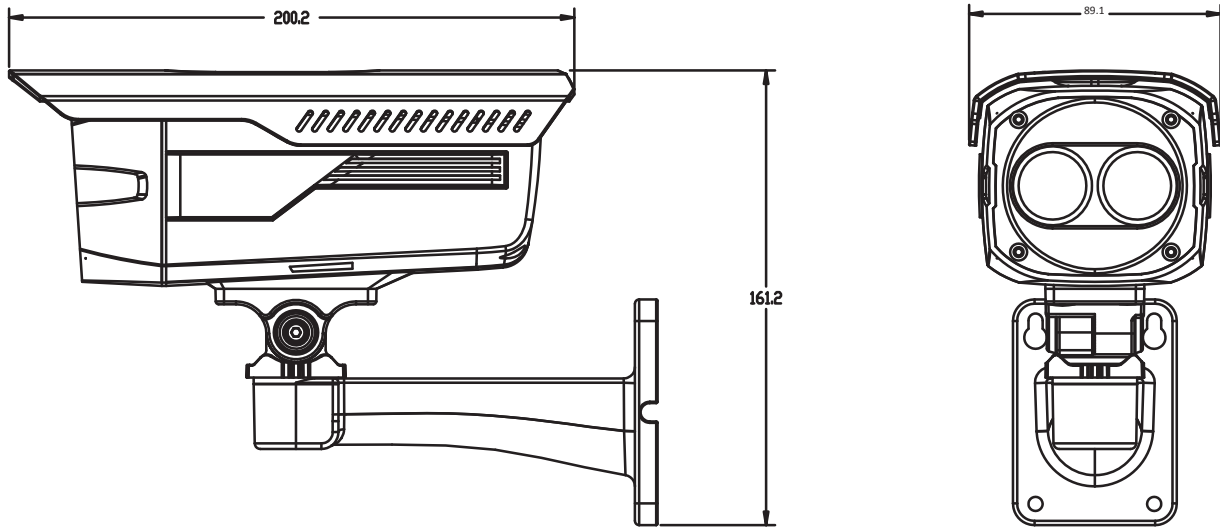
DH-HAC-HFW2120B-B

Technical Specifications

Model	DH-HAC-HFW2120BP-B	DH-HAC-HFW2120BN-B
Camera		
Image Sensor	1/3" 1.4Megapixel CMOS	
Effective Pixels	1305(H)×1049(V)	
Electronic Shutter	1/3s~1/100,000s	
Video Frame Rate	25/30/50/60fps@720P	
Synchronization	Internal	
Min. Illumination	0.01Lux@F1.2(AGC ON), 0Lux IR on	
Video Output	1-channel BNC HDCVI high definition video output/ CVBS standard definition video output (Can switch)	
Camera Features		
Max. IR LEDs Length	30m, Smart IR	
Day/Night	Auto(ICR) / Color / B/W	
Noise Reduction	2D/3D	
OSD Menu	Support	
Lens		
Focal length	6mm (2.8 mm, 3.6mm, 8mm optional)	
Angle of View	H: 46.5° (89° /70° /35°)	
Mount Type	M12	
General		
Power Supply	DC12V±10%	
Power Consumption	Max 4.2W	
Working Environment	-30°C~+60°C / Less than 95%RH (no condensation)	
Transmission Distance	Over 500m via 75-3 coaxial cable	
Ingress Protection	IP66	
Dimensions(W×D×H)	200.2mm×89.1mm×161.2mm	
Weight	0.58kg	
Others	Default: bracket included	

DH-HAC-HFW2120B-B

Dimensions (mm)



Dahua Technology Co., Ltd.

1187 BinAn Road, Binjiang District, Hangzhou, China

Tel: +86-571-87688883

Fax: +86-571-87688815

Email: overseas@dahuatech.com

www.dahuasecurity.com

*Design and specifications are subject to change without notice.

© 2013 Dahua Technology Co., Ltd.