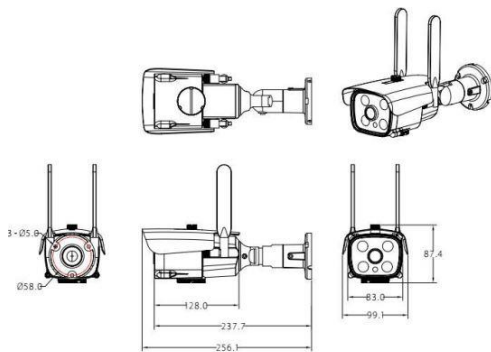




## FEATURES

- 1/3 CMOS image sensor, Lens 3.6 mm
- 1.3 Megapixel, 960P Resolution, HD video
- 4 Array LED, IR Distance 20m
- Support Micro SIM Card 3G, 4G (AIS, TRUE, DTAC)
- Triple Stream supported; Max support 12 users preview at the same time (4 users are in the first stream, 4 users are in the second stream, 4 users are in the third stream)
- Two way audio, Record Audio In/Out
- Support sending alarm image to Email
- Support motion detection
- Support Frequency Range: 824Mhz-960Mhz/1710Mhz-2690Mhz
- Use 5 dB antenna
- WIFI/802.11b/g/n wireless network (optional)
- Support ONVIF
- IP67 (Out Door)
- Micro SD card slot, up to 128GB

## DIMENTION



## SPECIFICATION

Camera	
Image Sensor	1/3 progressive scanning megapixel CMOS
Main processing chip	Hi3518
Effective Pixels	1280(H)×960(V)
Minimum illumination	0.1 Lux
Lens	3.6mm
IR Distance	20 m
Compression stander	
Video compression	H.264 main profile & Baseline profile (optional)
Audio compression	G.726&G711(default G726)
Compression and transmission rate	32 Kbps- 6Mbps (optional) default 4 Mbps
Image	
Video rate	The first stream: 720P(1280x720); Q720P(640x352) optional
	The second stream: Q720P(640x352); QQ720P(320x176) optional
	The third stream: QQ720P(320x176)
	JPEG rate: Q720P(640x352); QQ720P(320x176) optional (mobile viewing)
Video frame rate	25fps(50HZ); 30fps(60HZ)
Character superposition	Support the OSD name, date and time information superposition (on & off, optional)
Image setting	Brightness, contrast, saturation, exposure, flip, mirror
Function	
Storage	Support up 128G SD card and regular video storage
Motion detection	Four independent testing areas (sensitivity 100, optional)
IP protocol	TCP/IP, HTTP, TCP, ICMP, UDP, ARP, IGMP, SMTP, FTP, DHCP, DNS, DDNS, NTP, UPNP, RTSP, etc
SIM Card protocol	HUAWEI ME909s-821 LTE(FDD): B1, B3, B40, B41, (38), all bands with diversity DC-HSPA+: B1, B9, B5, B8, TDS, B34, B39, all bands with diversity GSM: 1800/900MHz MIMO LTE: DL2*2MIMO HSPA+DC-HSPA+: DL2*2MIMO
Access protocol	Support ONVIF 2.0 & authority inspection (default : close authority inspection)
Audio output	1 road output, support connecting headset and speaker
Audio input	Yes
Internet interface	Wifi 802.11b/g/n network (optional) 10Base-T/100Base Ethernet interface
Alarm output	1 road switch output
General specification	
Power	DC12V, 3A
Max. power consumption	15W
Operating temperature	-20°C ~ +55°C
Operating humidity	10~95%RH

