

DH-SD49131I-HC

1MP 31x Starlight IR PTZ HDCVI Camera



- 1/2.8" Exmor R CMOS
- Powerful 31x optical zoom
- Starlight technology
- 120dB true WDR, 3D DNR
- Max. 25/30/50/60fps@720P
- IR distance up to 100m
- IP66



System Overview

Featuring with powerful optical zoom and accurate pan/tilt/zoom performance, the SD49 series PTZ camera can provide large monitoring range and great detail. The camera delivers 720P resolution at 50/60fps, with 25x optical zoom, and has very excellent low light performance due to adopting the latest starlight technology. SD49 series PTZ is equipped with smooth control, high quality image and good protection, which make it can meet small and medium size of video surveillance applications.

Functions

Simplicity

HDCVI technology inherits the born feature of simplicity from traditional analog surveillance system, making itself a best choice for investment protection. HDCVI system can seamlessly upgrade the traditional analog system without replacing existing coaxial cabling. The plug and play approach enables full HD video surveillance without the hassle of configuring a network.

Starlight Technology

Thanks to our experience and expertise in hardware and software development, the camera is equipped with the latest image processing algorithm, high performance hardware and high quality optical components, which make the camera have very excellent low light performance. In most conditions, this camera can deliver clear, bright and low-noise color images.

Wide Dynamic Range

Embedded with industry leading wide dynamic range (WDR) technology, vivid pictures are achieved even in the most intense contrast lighting conditions. For applications with both bright and low lighting conditions that change quickly, true WDR (120dB) optimizes both the bright and dark areas of a scene at the same time to provide usable video.

Environmental

With a temperature range of -40 °C to +70 °C (-40 °F to +158 °F), the camera is designed for extreme temperature environments. Subjected and certified to rigorous dust and water immersion tests, the IP66 rating makes it suitable for demanding outdoor applications.

Protection

This camera suits even the harsh conditions for outdoor applications. Its 6KV lightning rating provides protection against the camera and its structure from the effects of lightning.

Technical Specification

Camera

Image Sensor	1/2.8" Exmor R CMOS
Effective Pixels	1280(H) x 720(V), 1 Megapixels
Scanning System	Progressive
Electronic Shutter Speed	1/3s~1/300,000s
Minimum Illumination	Color: 0.005Lux@F1.6; 0Lux@F1.6 (IR on)
S/N Ratio	More than 55dB
IR Distance	Distance up to 100m (328ft)
IR On/Off Control	Auto/Manual
IR LEDs	6

Lens

Focal Length	4.8mm~150mm
Max. Aperture	F1.6 ~ F4.4
Angle of View	H: 58.3° ~ 1.9°
Optical Zoom	31x
Focus Control	Auto/Manual
Close Focus Distance	100mm~ 1000mm

PTZ

Pan/Tilt Range	Pan: 0° ~ 360° endless; Tilt: -15° ~ 90°, auto flip 180°
Manual Control Speed	Pan: 0.1° ~ 200° /s; Tilt: 0.1° ~ 120° /s
Preset Speed	Pan: 240° /s; Tilt: 200° /s
Presets	300
PTZ Mode	5 Pattern, 8 Tour, Auto Pan ,Auto Scan
Speed Setup	Human-oriented focal Length/ speed adaptation
Power up Action	Auto restore to previous PTZ and lens status after power failure
Idle Motion	Activate Preset/ Scan/ Tour/ Pattern if there is no command in the specified period
Protocol	DH-SD, Pelco-P/D (Auto recognition)

Video

Resolution	720P(1280x720)
Frame Rate	25/30/50/60fps@720P
Video Output	1-channel BNC HDCVI high definition video output/ CVBS standard definition video output (switchable)
Day/Night	Auto(ICR) / Color / B/W
OSD Menu	Support
Backlight Compensation	BLC / HLC / WDR (120dB)
White Balance	Auto,ATW,Indoor,Outdoor,Manual
Gain Control	Auto / Manual
Noise Reduction	Ultra DNR (2D/3D)

Digital Zoom	16x
Flip	180°
Privacy Masking	Up to 24 areas

Certifications

Certifications	CE: EN55032/EN55024/EN50130-4 FCC: Part15 subpartB,ANSI C63.4- 2014 UL: UL60950-1+CAN/CSA C22.2, No.60950-1
----------------	---

Interface

Video Interface	1
Audio Interface	1 channel in
RS485	1
Alarm	2/1

Electrical

Power Supply	DC 12V/3A
Power Consumption	13W,20W (IR on)

Environmental

Operating Conditions	-40°C ~ 70°C (-40°F ~ +158°F) / Less than 90% RH
Ingress Protection	IP66
Vandal Resistance	N/A

Construction

Casing	Metal
Dimensions	Φ160(mm) x 295(mm)
Net Weight	4kg(8.82lb)
Gross Weight	4.2kg(9.26lb)

Ordering Information

Type	Part Number	Description
1MP PTZ Camera	DH-SD49131I-HC	1MP 31x Starlight IR PTZ HDCVI Camera, WDR, PAL
	DH-SD49131IIN-HC	1MP 31x Starlight IR PTZ HDCVI Camera, WDR, NTSC
	SD49131I-HC	1MP 31x Starlight IR PTZ HDCVI Camera, WDR, PAL
	SD49131IIN-HC	1MP 31x Starlight IR PTZ HDCVI Camera, WDR, NTSC
Accessories	PFB305W	Wall Mount
	PFA111	Mount Adapter
	DC12V/3A	Power Supply
	PFA140	Power box
	PFB300C	Ceiling Mount
	PFA120	Junction Box
	PFA150	Pole Mount
	PFA151	Corner Mount
	PFB303S	Parapet mount

Accessories

Included:



PFB305W
Wall Mount

Optional:



PFA111
Mount Adapter



DC12V/3A
Power Supply



PFA140
Power box



PFB300C
Ceiling Mount



PFA120
Junction Box



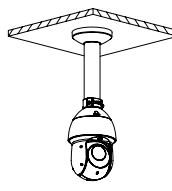

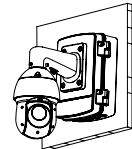
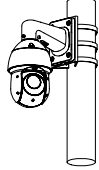
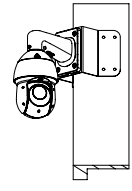
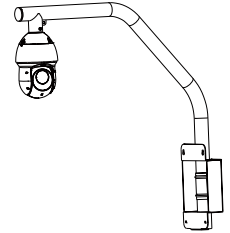
PFA150
Pole Mount



PFA151
Corner Mount



PFB303S
Parapet Mount

Ceiling Mount	Junction Mount
PFA111 + PFB300C	PFB305W + PFA120
	
Power Box Mount	Pole Mount
PFB305W + PFA140	PFB305W + PFA150
	
Corner Mount	Parapet Mount
PFB305W + PFA151	PFA111+ PFB303S
	

Dimensions (mm)

